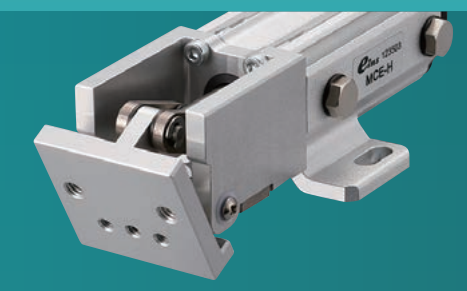
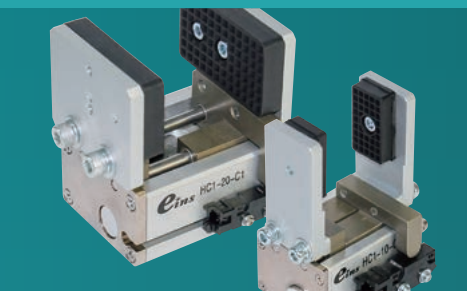
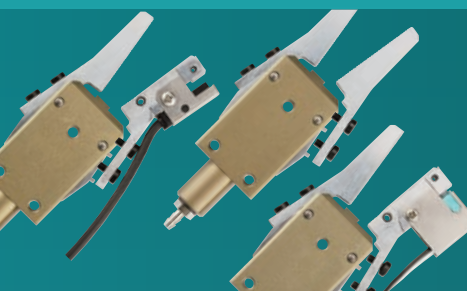
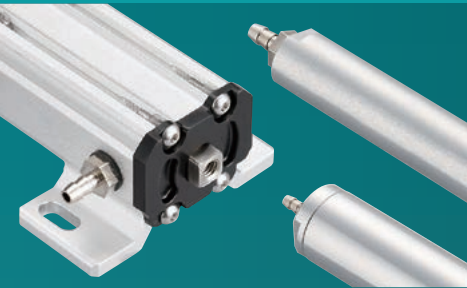


Grip



Mini Cylinder 2-2

- ▶ Micro Mini Cylinder (UMCD) / Mini Cylinder (MCD) ... 2-4
- ▶ Mini Cylinder (MCE) 2-5
- ▶ Mini Cylinder H 2-6
- ▶ Cylinder for Pipe Attachment 2-7



Accessories for Mini Cylinder 2-8

- ▶ Pads 2-10
- ▶ Claws / Nut Plates 2-12
- ▶ Chuck Spacers (Plastic) / Spacers (Aluminum) 2-13
- ▶ Extension Shafts / Pillow Blocks 2-14
- ▶ Slide Plates 2-15



Container Cylinders 2-16

- ▶ Mini Container Cylinders (Single / Double) 2-17
- ▶ Container Cylinders (Double / Reinforced / Hi-torque) ... 2-18
- ▶ Container Cylinder w/ Guided (Double) 2-19



Accessories for Container Cylinder ... 2-20

- ▶ Pads / Extension Plate / Nut Plate 2-21



Grippers 2-22

- ▶ Runner Chuck E Series (Claw Superduralumin) 2-28
- ▶ Runner Chuck E1 Series (Steel Claw) 2-30
- ▶ Runner Chuck E1 Series (Steel L Claw Type) 2-32
- ▶ Runner Chuck E1 Series (Detachable / Attachable Claw) ... 2-33
- ▶ Runner Module / Runner Chuck Plate 2-35
- ▶ Tunnel Gate Runner Chuck 2-36
- ▶ Pipe Combination Chuck 2-37
- ▶ Hinge Cylinder 2-38
- ▶ Magnet Chucks 2-39
- ▶ Parallel Chucks 2-40
- ▶ Parallel Hands (Double) 2-44
- ▶ Needle Gripper 2-45
- ▶ Hinge Chuck Clamp Unit (Double) 2-46



Buffer Material 2-47

- ▶ Rubber Pad / EP Sponge / Silicone Sponge 2-47

Quick Chuck Change

Quick Chuck Change (Manual)

Tool Changer

Automated Chuck Exchange System

Grip

Mini Cylinder

Accessories for Mini Cylinder

Container Cylinders

Accessories for Container Cylinder

Grippers

Buffer Material

Suction

Suction Cups

Suction Stem

Pad in Pad

Air Ejector / Filter / Check Valve

Micro Mold E.O.A.T

Cut

Mini Air Nippers

Air Nippers

Frame/Module

Jungle Gym

Let's Joint

Rectangular Tube

Base Aluminum Material

Sliding Chuck

Tubing/Sensors

Tubing

Sensors

Other Products

Others

Information



Mini Cylinder

- ▶ Small and lightweight. Attached to jungle gym.
- ▶ Non-rotate structure for cylinder rod (except for mini cylinder H)

■ Specification

Product name	Order code No.	Standard	Structure	Used air pressure (Mpa)	Output (N)		Stroke (mm)	Weight (g)	Page of details
Micro mini cylinder	 200122	UMCD-5	Single action type	0.3 - 0.49	39 (Used air pressure 0.49Mpa)		5	16	2-4
	 200123	UMCD-10					10	22	
	 200124	UMCD-5P					5	14	
	 200125	UMCD-10P					10	20	
Mini cylinder • MCD1	 123219	MCD1-10	Single action type	0.3 - 0.49	Push 98 Pull 19	10	65	2-4	
	 123220	MCD1-20				20	80		
Mini cylinder • MCE	 123504	MCE-10S	Single action type	0.3 - 0.49	Push 110 Pull 20	10	58	2-5	
	 123505	MCE-10T							Push 20 Pull 85
	 123508	MCE-10W	Double action type		Push 130 Pull 108	62			
	 123506	MCE-20S	Single action type		Push 105 Pull 24	20	69		
	 123507	MCE-20T			Push 24 Pull 82				
	 123509	MCE-20W	Double action type		Push 130 Pull 108	71			

* Use conditions: [Fluid to be used] Clean air, [Operation temperature] 5°C - 40°C

Quick Chuck Change

Quick Chuck Change (Manual)

Tool Changer

Automated Chuck Exchange System

Grip
Mini Cylinder

Accessories for Mini Cylinder

Container Cylinders

Accessories for Container Cylinder

Grippers

Buffer Material

Suction

Suction Cups

Suction Stem

Pad in Pad

Air Ejector/Filter/Check Valve

Micro Mold E.O.A.T

Cut

Mini Air Nippers

Air Nippers

Frame/Module

Jungle Gym

Let's Joint

Rectangular Tube

Base Aluminum Material

Sliding Chuck

Tubing/Sensors

Tubing

Sensors

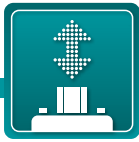
Other Products

Others

Information

Product name	Order code No.	Standard	Structure	Used air pressure (Mpa)	Output (N)	Stroke (mm)	Weight (g)	Page of details
Mini cylinder H (with rubber pad) 	120003	MCY-HS	Single action type	0.3 - 0.49	Push 78 Pull 10	20 degrees	45	2-6
Replacement rubber • w/ screw • for MCY-HS 	370877	For MCY-HS	—	—	—	—	1	2-6
Cylinder for pipe attachment 	122824	MCP-1210	Single action type	0.3 - 0.49	34.6	10	12	2-7
	122825	MCP-1220			35.7	20	14	
	122826	MCP-2010			93.8	10	40	
	122827	MCP-2020			92.8	20	46	
	122828	MCP-2030			91.8	30	50	
Auto switch (reed SW) 	030282	D-A93	—	—	—	—	6	2-5
Auto switch (contactless) 	030425	D-M9N	—	—	—	—	8	2-5

* Use conditions: [Fluid to be used] Clean air, [Operation temperature] 5°C - 40°C



Micro Mini Cylinder (UMCD) / Mini Cylinder (MCD)

Mini cylinder series with lightweight body.

► High performance for chucking small molded parts.



Micro mini cylinder

Order code No.	200122
Standard	UMCD-5

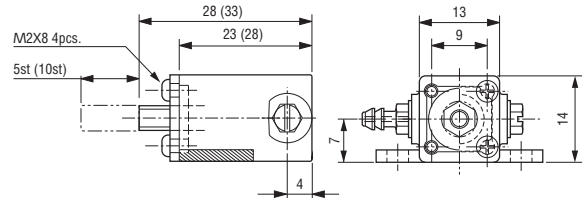
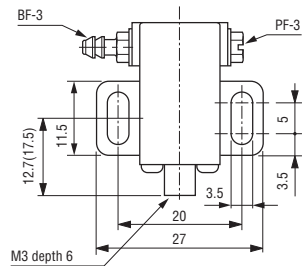
- Stroke: 5mm
- Weight: 16g
- With joint BF-3 for piping



Micro mini cylinder

Order code No.	200123
Standard	UMCD-10

- Stroke: 10mm
- Weight: 22g
- With joint BF-3 for piping



* Size in () shows size of UMCD-10.

► Can be mounted side by side.



Micro mini cylinder • slim type

Order code No.	200124
Standard	UMCD-5P

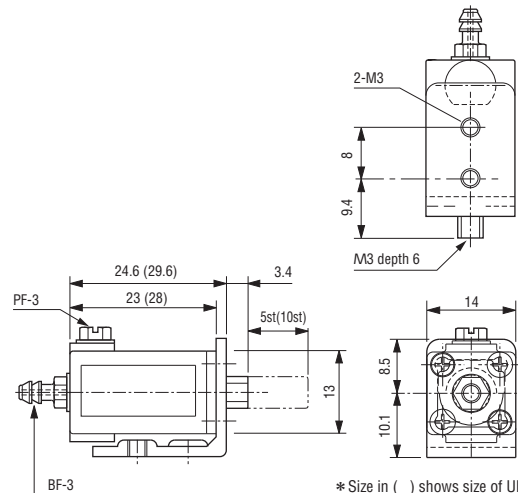
- Stroke: 5mm
- Weight: 14g
- With joint BF-3 for piping



Micro mini cylinder • slim type

Order code No.	200125
Standard	UMCD-10P

- Stroke: 10mm
- Weight: 20g
- With joint BF-3 for piping



* Size in () shows size of UMCD-10P.

► Mini cylinder series with lightweight body.



Mini cylinder • MCD1

Order code No.	123219
Standard	MCD1-10

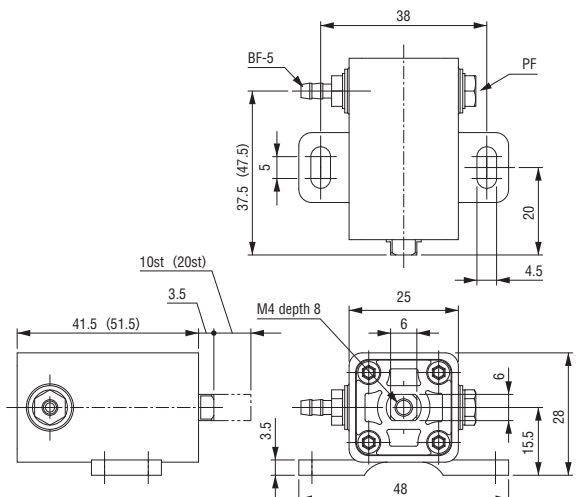
- Stroke: 10mm
- Weight: 65g
- With joint BF-5 for piping



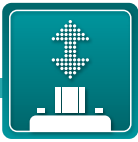
Mini cylinder • MCD1

Order code No.	123220
Standard	MCD1-20

- Stroke: 20mm
- Weight: 80g
- With joint BF-5 for piping



* Size in () shows size of MCD1-20.



Mini Cylinder (MCE)

Light weight mini cylinder which allows installation of auto switch for act/return limit.

► Extension-type cylinder



Mini cylinder • MCE10st (force)

Order code No.	123504
Standard	MCE-10S

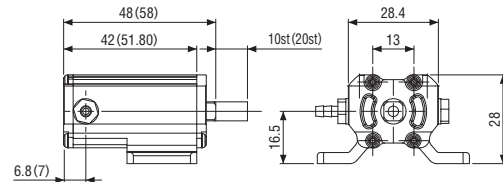
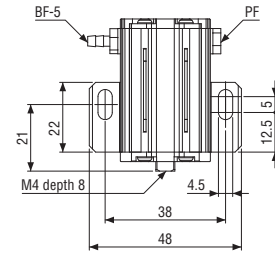
- Stroke: 10mm ● Weight: 58g
- With joint BF-5 for piping



Mini cylinder • MCE20st (force)

Order code No.	123506
Standard	MCE-20S

- Stroke: 20mm ● Weight: 69g
- With joint BF-5 for piping



* Size in () shows size of MCE-20S.

► Pull cylinder



Mini cylinder • MCE10st (draw)

Order code No.	123505
Standard	MCE-10T

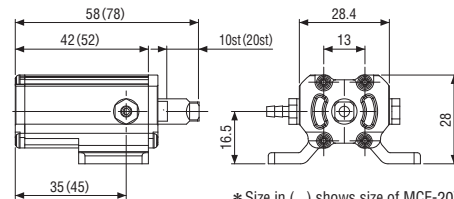
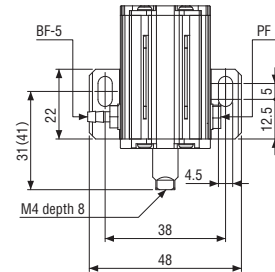
- Stroke: 10mm ● Weight: 58g
- With joint BF-5 for piping



Mini cylinder • MCE20st (draw)

Order code No.	123507
Standard	MCE-20T

- Stroke: 20mm ● Weight: 69g
- With joint BF-5 for piping



* Size in () shows size of MCE-20T.

► Double-act-type cylinder



Mini cylinder • MCE10st (double action)

Order code No.	123508
Standard	MCE-10W

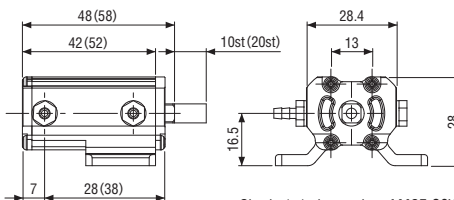
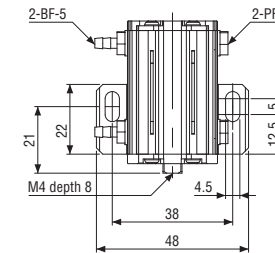
- Stroke: 10mm ● Weight: 62g
- With joint BF-5 for piping



Mini cylinder • MCE20st (double action)

Order code No.	123509
Standard	MCE-20W

- Stroke: 20mm ● Weight: 71g
- With joint BF-5 for piping



* Size in () shows size of MCE-20W.



Auto switch (reed SW)

Order code No.	030282
Standard	D-A93

- Weight: 6g ● Applicable load: relay, PLC
- Load voltage: DC24V ● Load current range: 5mA~40mA
- Lead wire: 0.5M OUT (+) BROWN OUT (-) BLUE
- Indicator light



Auto switch (contactless)

Order code No.	030425
Standard	D-M9N

- Weight: 8g ● Applicable load: relay, PLC
- Load voltage: DC24V ● Load current range: ~40mA or lower
- Lead wire: 0.5M + V(BROWN), Load(BLACK), OV(BLUE)
- Indicator light

Quick Chuck Change

Quick Chuck Change (Manual)

Tool Changer

Automated Chuck Exchange System

Grip

Mini Cylinder

Accessories for Mini Cylinder

Container Cylinders

Accessories for Container Cylinder

Grippers

Buffer Material

Suction

Suction Cups

Suction Stem

Pad in Pad

Air Ejector/Filter/Check Valve

Micro Mold E.O.A.T

Cut

Mini Air Nippers

Air Nippers

Frame/Module

Jungle Gym

Let's Joint

Rectangular Tube

Base Aluminum Material

Sliding Chuck

Tubing/Sensors

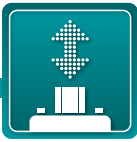
Tubing

Sensors

Other Products

Others

Information



Mini Cylinder H

Hinge cylinder with compact body.



Mini cylinder H

Order code No.	120003
Standard	MCY-HS

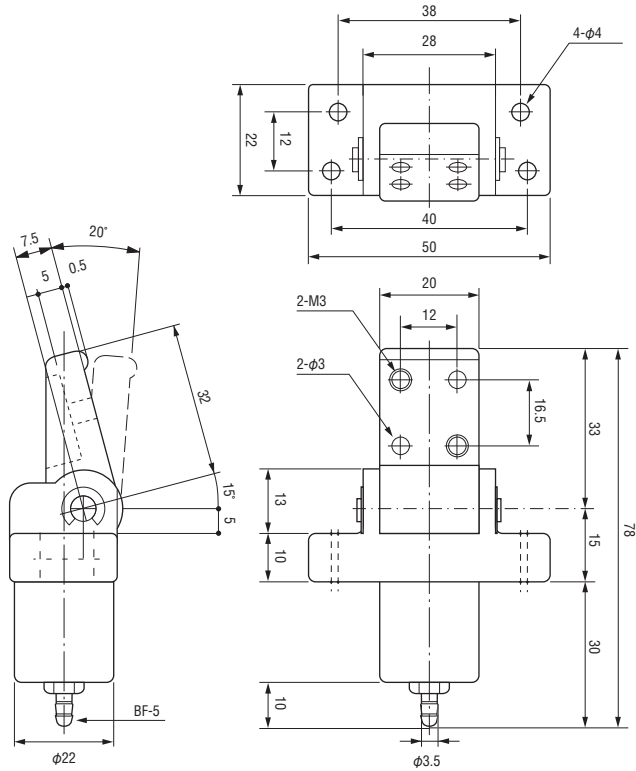
- Body material: PBT polybutylene terephthalate
- Operating angle: 0-20 degrees
- Weight: 45g
- With joint BF-5 for piping



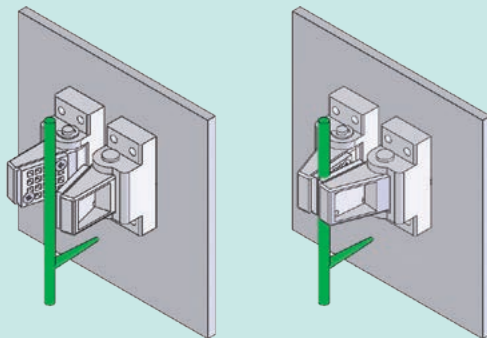
Replacement rubber • w/ screw • for MCY-HS

Order code No.	370877
Standard	FOR MCY-HS

- Weight: 1g
- Rubber pad material: natural rubber (NR) + Styrene-butadiene rubber (SBR)



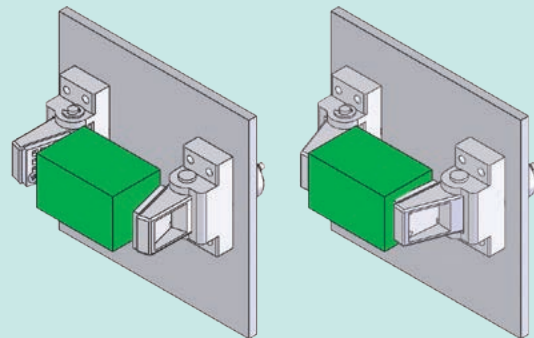
Example of use (runner grip)



Example of use (product grip)

Chuck close state

Example of use (product grip)



Example of use (product grip)

Chuck close state

* Direct attachment to jungle gym is impossible.



Cylinder for Pipe Attachment

Lightweight, high rigidity, and long operating life with superduralumin.

▶ Direct connection to jungle gym series parts (ø12) is possible.

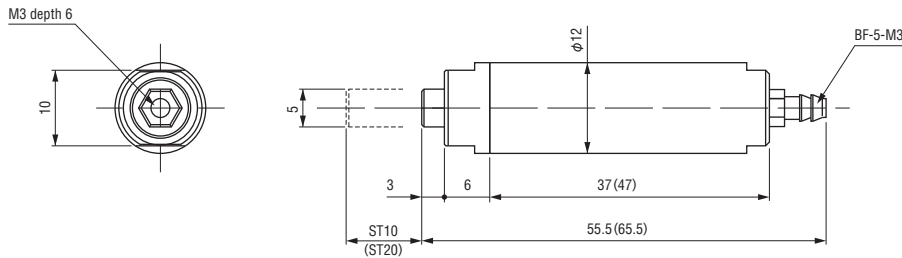


Order code No.	122824
Standard	MCP-1210

- Stroke: 10mm ● Weight: 12g
- With joint BF-5-M3 for piping

Order code No.	122825
Standard	MCP-1220

- Stroke: 20mm ● Weight: 14g
- With joint BF-5-M3 for piping



* Size in () shows size of MCP-1220.

▶ Direct connection to jungle gym series parts (ø20) is possible.



Order code No.	122826
Standard	MCP-2010

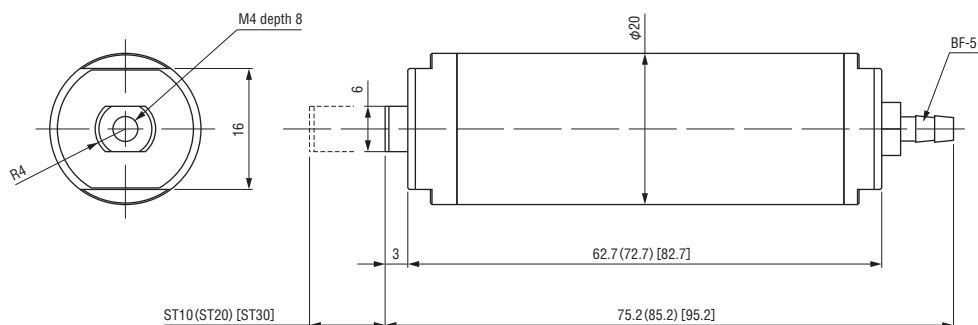
- Stroke: 10mm ● Weight: 40g
- With joint BF-5 for piping

Order code No.	122827
Standard	MCP-2020

- Stroke: 20mm ● Weight: 46g
- With joint BF-5 for piping

Order code No.	122828
Standard	MCP-2030

- Stroke: 30mm ● Weight: 50g
- With joint BF-5 for piping



* Size in () shows size of MCP-2020. * Size in [] shows size of MCP-2030.

Quick Chuck Change

Quick Chuck Change (Manual)

Tool Changer

Automated Chuck Exchange System

Grip

Mini Cylinder

Accessories for Mini Cylinder

Container Cylinders

Accessories for Container Cylinder

Grippers

Buffer Material

Suction

Suction Cups

Suction Stem

Pad in Pad

Air Ejector/Filter/Check Valve

Micro Mold E.O.A.T

Cut

Mini Air Nippers

Air Nippers

Frame/Module

Jungle Gym

Let's Joint

Rectangular Tube

Base Aluminum Material

Sliding Chuck

Tubing/Sensors

Tubing

Sensors

Other Products

Others

Information

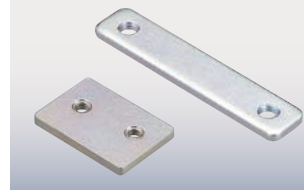


Pads



For micro mini cylinder and mini cylinder.

Nut Plates



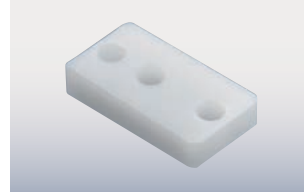
For fixing mini cylinders.

Claws



Most suitable for spruce chuck.

Chuck Spacers (Plastic)

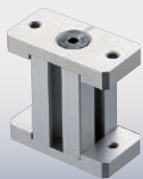


Spacer to install chuck plate and cylinder.

Specification

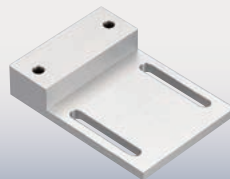
	Product name		Order code No.	Standard	Weight (g)	Material	Page of details
Pads	Pad • round • black ϕ 25 • for mini cylinder		370071	CP-015	13	NitrileRubber	2-10
	Pad • round • black ϕ 50 • for mini cylinder		370070	CP-016	53		
	Pad • rectangle • black • for micro mini cylinder		022797	CPUM-01	5		
	Pad • rectangle • black 2 holes • for mini cylinder		370835	CP-060	43	Chloroprene rubber	
	Pad • curved • black • for mini cylinder		370005	CP-018	44		
	Pad • rectangle • black • for pull		023219	CP-077	39	NitrileRubber	
	Pad • rectangle • w/ black SW • for mini cylinder		101714	KRC1-5000	59		
	Pad • rectangle • w/ SW • for micro mini cylinder		110568	L1131-100	23	Silicone	2-10
	Pad • round • white ϕ 25 • for mini cylinder		022664	CP-074	13		
	Pad • round • white ϕ 50 • for mini cylinder		370107	CP-071	53		
	Pad • rectangle • white • for micro mini cylinder		023113	CPUM-01 (SR)	5		
	Pad • rectangle • white 2 holes • for mini cylinder		370836	CP-061	43		
	Pad • curved • white • for mini cylinder		022656	CP-072	44		
	Pad • rectangle • white • for pull		023220	CP-078	39		2-11
	Pad • rectangle • w/ white SW • for mini cylinder		101715	KRCW1-5000	59		
	Pad • rectangle • w/ white SW • for micro mini cylinder		110654	L1131-200	23		
	Steel pad		023211	CP-06F	37		
		Micro limit switch • for KRC / KRCW		030317	D2JW-011-MD (0.1A,30VDC)	8	

Spacers (Aluminum)



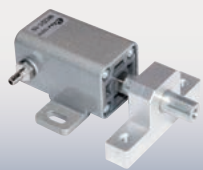
Used to change the mounting height of the mini cylinder.

Slide Plates



Easy mini cylinder position adjustment. This makes possible to use the same chuck plate for several molds.

Extension Shafts / Pillow Blocks



Extension of mini cylinder rod, used with pillow block for stability.

Specification

Product name		Order code No.	Standard	Weight (g)	Material	Page of details
Claws	Claw • L shape • for micro mini cylinder	 022798	CPUM-02	3.6	-	2-12
	Claw • round shape ϕ 25 • for mini cylinder	 370072	CP-013	11.4		
	Claw • L shape • for mini cylinder	 370073	CP-014	28.4		
Nut plates	Nut plate • for micro mini cylinder	 022801	CPUM-05	5.0	-	2-12
	Nut plate • for mini cylinder	 050033	CP-009	8.2		
	Nut plate • for H cylinder	 050034	CP-010	5.2		
Chuck spacer	Chuck spacer • for micro mini cylinder	 041646	ECPUM-03	1.7	PP material	2-13
	Chuck spacer • for mini cylinder	 041647	ECP-011	8.6		
Spacer	Spacer • aluminum • 50H		230060	XL0002-050	73	-
	Spacer • aluminum • 80H		230061	XL0002-080	93	
	Spacer • aluminum • 100H		230062	XL0002-100	106	
	Spacer • aluminum • 120H		230063	XL0002-120	119	
Mini cylinder extension shaft		370342	CP-033 (30mm)	11	-	2-14
		370711	CP-034 (45mm)	16		
Mini cylinder pillow block		370341	CP-007 (10mm)	20	-	2-15
		370712	CP-008 (20mm)	40		
Mini cylinder slide plate		370793	CP-030 (10H)	53	-	2-15
		370722	CP-030 (15H)	64		

Quick Chuck Change

Quick Chuck Change (Manual)

Tool Changer

Automated Chuck Exchange System

Grip

Mini Cylinder

Accessories for Mini Cylinder

Container Cylinders

Accessories for Container Cylinder

Grippers

Buffer Material

Suction

Suction Cups

Suction Stem

Pad in Pad

Air Ejector / Filter / Check Valve

Micro Mold E.O.A.T

Cut

Mini Air Nippers

Air Nippers

Frame/Module

Jungle Gym

Let's Joint

Rectangular Tube

Base Aluminum Material

Sliding Chuck

Tubing/Sensors

Tubing

Sensors

Other Products

Others

Information



Pads

Use the product by mounting to the tip of cylinder rod.



Pad • round • black ϕ 25 • for mini cylinder

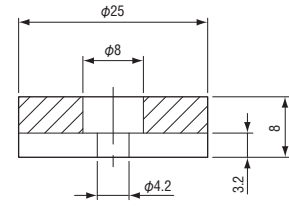
Order code No.	370071
Standard	CP-015

- Material: nitrile rubber
- Weight: 13g
- Cylinder: MCD1, MCE, MCP-20 series

Pad round white ϕ 25 • for mini cylinder

Order code No.	022664
Standard	CP-074

- Material: silicone
- Weight: 13g
- Cylinder: MCD1, MCE, MCP-20 series



Pad • round • black ϕ 50 • for mini cylinder

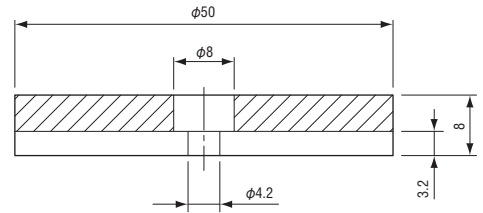
Order code No.	370070
Standard	CP-016

- Material: nitrile rubber
- Weight: 53g
- Cylinder: MCD1, MCE, MCP-20 series

Pad • round • white ϕ 50 • for mini cylinder

Order code No.	370107
Standard	CP-071

- Material: silicone
- Weight: 53g
- Cylinder: MCD1, MCE, MCP-20 series



Pad • rectangle • black • for micro mini cylinder

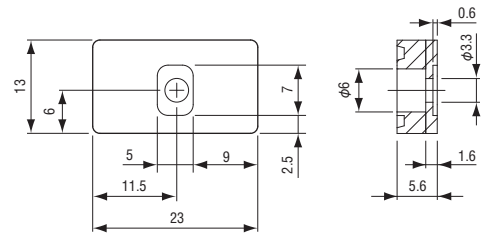
Order code No.	022797
Standard	CPUM-01

- Material: nitrile rubber
- Weight: 5g
- Cylinder: UMCD, MCP-12 series

Pad • rectangle • white • for micro mini cylinder

Order code No.	023113
Standard	CPUM-01 (SR)

- Material: silicone
- Weight: 5g
- Cylinder: UMCD, MCP-12 series



Pad • rectangle • black 2 holes • for mini cylinder

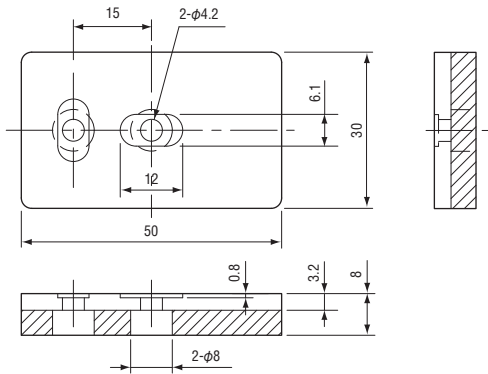
Order code No.	370835
Standard	CP-060

- Material: chloroprene rubber
- Weight: 43g
- Cylinder: MCD1, MCE, MCP-20 series

Pad • rectangle • white 2 holes • for mini cylinder

Order code No.	370836
Standard	CP-061

- Material: silicone
- Weight: 43g
- Cylinder: MCD1, MCE, MCP-20 series



► Used when the parts has a curved surface.



Pad • curved • black • for mini cylinder

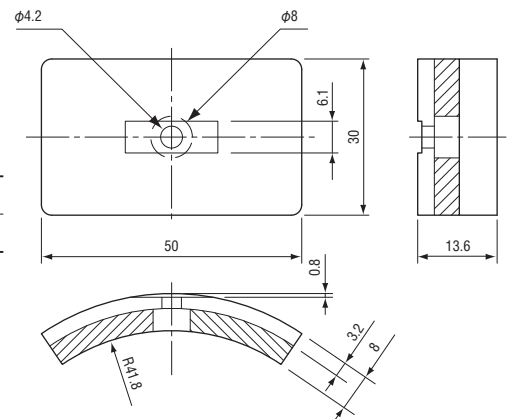
Order code No.	370005
Standard	CP-018

- Material: chloroprene rubber
- Weight: 44g
- Cylinder: MCD1, MCE, MCP-20 series

Pad • curved • white • for mini cylinder

Order code No.	022656
Standard	CP-072

- Material: silicone
- Weight: 44g
- Cylinder: MCD1, MCE, MCP-20 series



Quick Chuck Change
Quick Chuck Change (Manual)
Tool Changer
Automated Chuck Exchange System

Grip
Mini Cylinder
Accessories for Mini Cylinder

Container Cylinders
Accessories for Container Cylinder
Grippers
Buffer Material

Suction
Suction Cups
Suction Stem

Pad in Pad
Air Ejector / Filter / Check Valve
Micro Mold E.O.A.T

Cut
Mini Air Nippers
Air Nippers

Frame/Module
Jungle Gym
Let's Joint
Rectangular Tube
Base Aluminum Material

Sliding Chuck
Tubing/Sensors
Tubing
Sensors

Other Products
Others

Information



Pad • rectangle • black • for pull

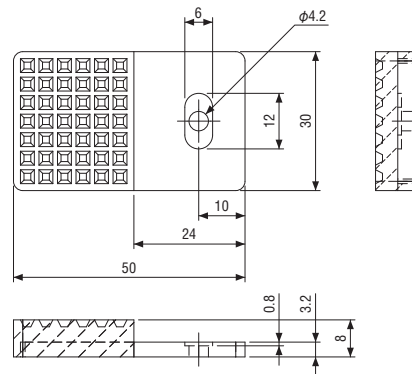
Order code No.	023219
Standard	CP-077

- Material: chlorprene rubber ● Weight:39g
- Cylinder: MCE series

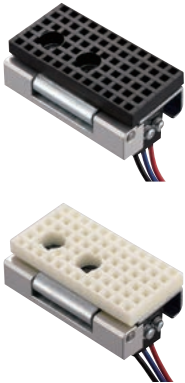
Pad • rectangle • white • for pull

Order code No.	023220
Standard	CP-078

- Material: silicone ● Weight:39g
- Cylinder: MCE series



▶ Supplied with SW, sensor for product confirmation is not necessary.



Pad • rectangle • w/ SW • for mini cylinder

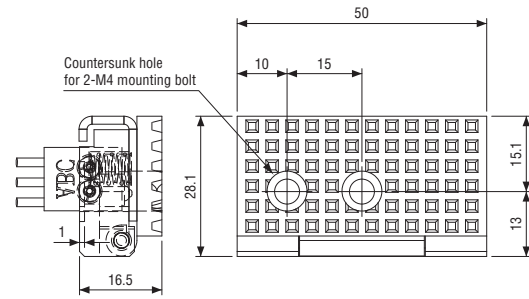
Order code No.	101714
Standard	KRC1-5000

- Material: nitrile rubber ● Weight:59g
- Cylinder: MCD1, MCE, MCP-20 series

Pad • rectangle • w/ SW • for mini cylinder

Order code No.	101715
Standard	KRCW1-5000

- Material: silicone ● Weight:59g
- Cylinder: MCD1, MCE, MCP-20 series



* Wiring: black (COM) blue (NO) red (NC)
 A contact specification: black (COM) blue (NO)
 B contact specification: black (COM) red (NC)

▶ Supplied with SW, sensor for product confirmation is not necessary.



Pad • rectangle • w/ black SW • for micro mini cylinder

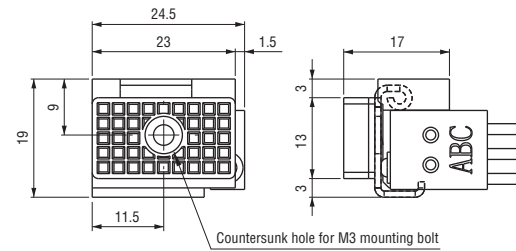
Order code No.	110568
Standard	L1131-100

- Material: nitrile rubber ● Weight:23g
- Cylinder: UMCD, MCP-12 series

Pad • rectangle • w/ white SW • for micro mini cylinder

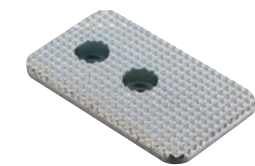
Order code No.	110654
Standard	L1131-200

- Material: silicone ● Weight:23g
- Cylinder: UMCD, MCP-12 series



* Unable to attach to UMCD-5P/10P.
 * Wiring: black (COM) blue (NO) red (NC)
 A contact specification: black (COM) blue (NO)
 B contact specification: black (COM) red (NC)

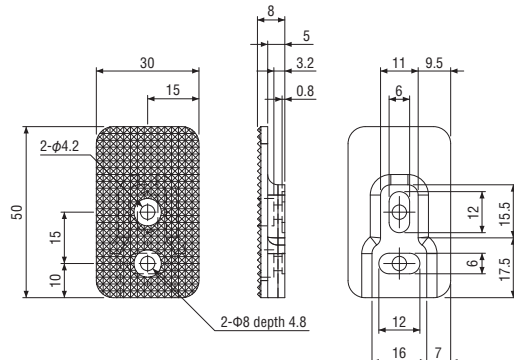
▶ Best suited for sprue slide prevention by using knurling process.



Steel pad

Order code No.	023211
Standard	CP-06F

- Weight:37g
- Cylinder: MCD1, MCE, MCP-20 series



Micro limit switch • for KRC / KRCW

Order code No.	030317
Standard	D2JW-011-MD (0.1A,30VDC)

- Wiring: black (COM) blue (NO) red (NC)





Claws / Nut Plates

Claw is used for chucking sprue. And nut plate is used for fixing mini cylinder.

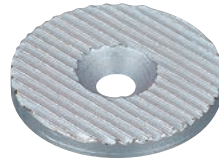
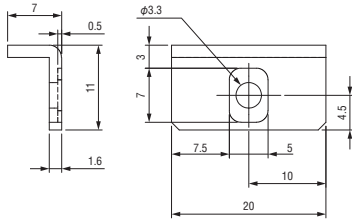
► Claws



Claw • L shape • for micro mini cylinder

Order code No.	022798
Standard	CPUM-02

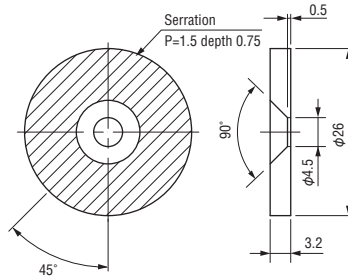
- Weight: 3.6g
- Cylinder: UMCD, MCP-12 series



Claw • round shape φ25 • for mini cylinder

Order code No.	370072
Standard	CP-013

- Weight: 11.4g
- Cylinder: MCD1, MCP-20 series, MCE series



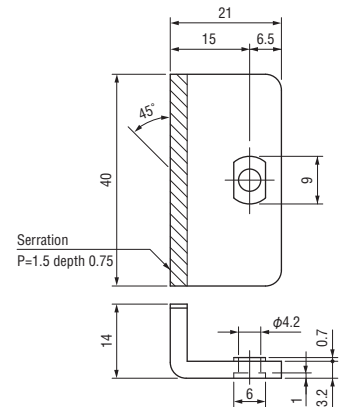
* Clamp force is conveyed with serration processing. This product is engaged in less deep than CP-014.



Claw • L shape • for mini cylinder

Order code No.	370073
Standard	CP-014

- Weight: 28.4g
- Cylinder: MCD1, MCP-20 series, MCE series



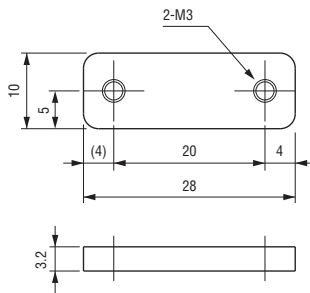
► Nut Plates



Nut plate • for micro mini cylinder

Order code No.	022801
Standard	CPUM-05

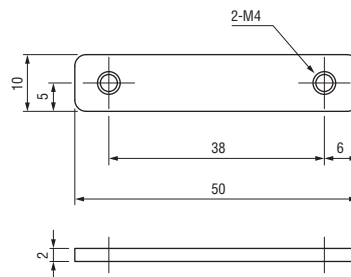
- Weight: 5.0g



Nut plate • for mini cylinder

Order code No.	050033
Standard	CP-009

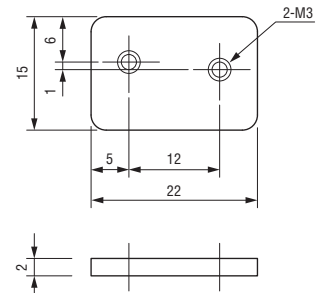
- Weight: 8.2g



Nut plate • for H cylinder

Order code No.	050034
Standard	CP-010

- Weight: 5.2g





Chuck Spacers (Plastic) / Spacers (Aluminum)

Spacer for height adjustment.

Chuck spacer • for micro mini cylinder

Order code No.	041646
Standard	ECPUM-03

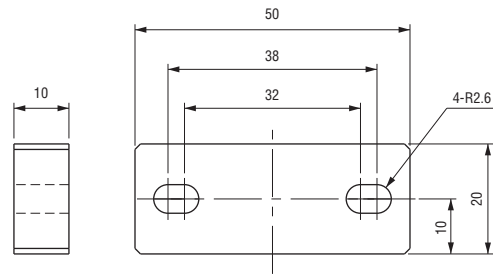
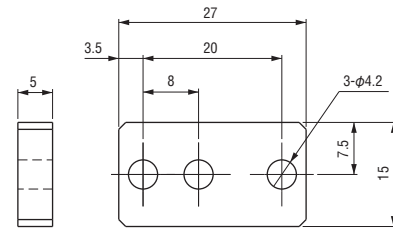
● Weight: 1.7g



Chuck spacer • for mini cylinder

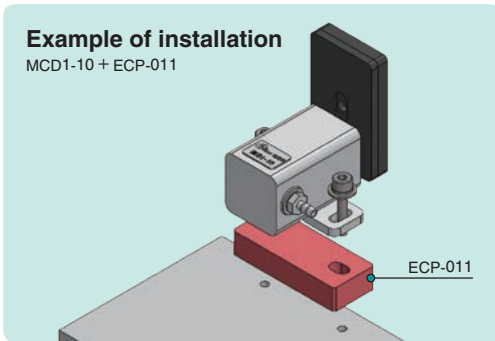
Order code No.	041647
Standard	ECP-011

● Weight: 8.6g



Example of installation

MCD1-10 + ECP-011



Quick Chuck Change

Quick Chuck Change (Manual)

Tool Changer

Automated Chuck Exchange System

Grip

Mini Cylinder

Accessories for Mini Cylinder

Container Cylinders

Accessories for Container Cylinder

Grippers

Buffer Material

Suction

Suction Cups

Suction Stem

Pad in Pad

Air Ejector / Filter / Check Valve

Micro Mold E.O.A.T

Cut

Mini Air Nippers

Air Nippers

Frame/Module

Jungle Gym

Let's Joint

Rectangular Tube

Base Aluminum Material

Sliding Chuck

Tubing/Sensors

Tubing

Sensors

Other Products

Others

Information

Spacer for mini cylinder

Spacer • aluminum • 50H

Order code No.	230060
Standard	XL0002-050

● Weight: 73g ● Size A: 50mm



Spacer • aluminum • 80H

Order code No.	230061
Standard	XL0002-080

● Weight: 93g ● Size A: 80mm



Spacer • aluminum • 100H

Order code No.	230062
Standard	XL0002-100

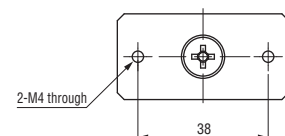
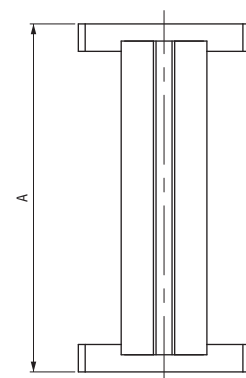
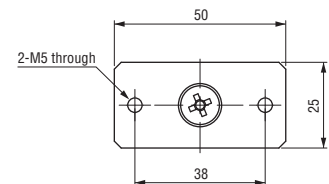
● Weight: 106g ● Size A: 100mm



Spacer • aluminum • 120H

Order code No.	230063
Standard	XL0002-120

● Weight: 119g ● Size A: 120mm





Extension Shafts / Pillow Blocks

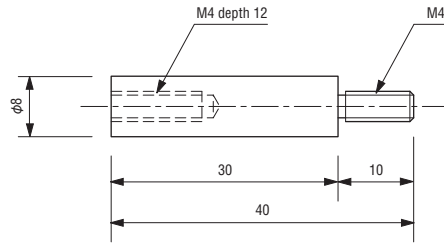
Extension of mini cylinder rod, used with pillow block for stability.



Mini cylinder • extension shaft

Order code No.	370342
Standard	CP-033 (30mm)

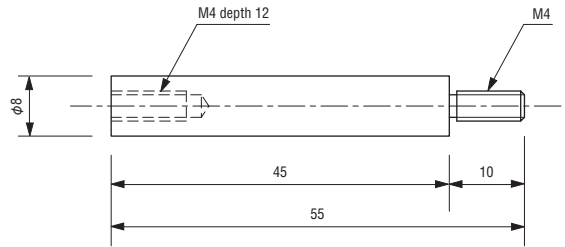
● Weight: 11g



Mini cylinder • extension shaft

Order code No.	370711
Standard	CP-034 (45mm)

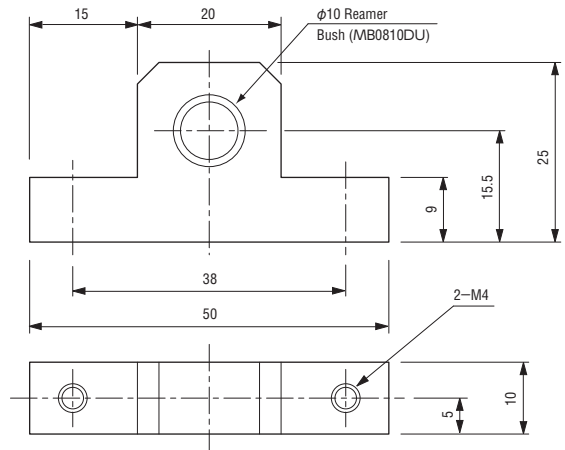
● Weight: 16g



Mini cylinder • pillow block

Order code No.	370341
Standard	CP-007 (10mm)

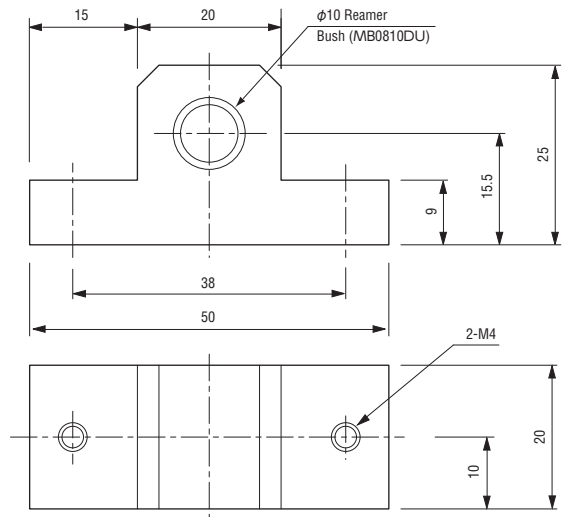
● Weight: 20g



Mini cylinder • pillow block

注文コードNo.	370712
規格	CP-008 (20mm)

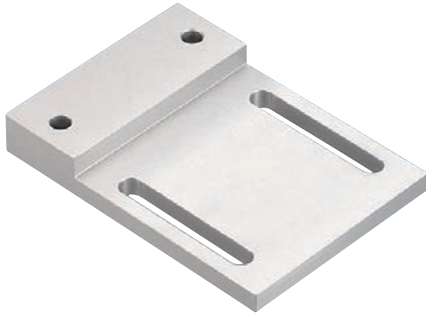
● Weight: 40g





Slide Plates

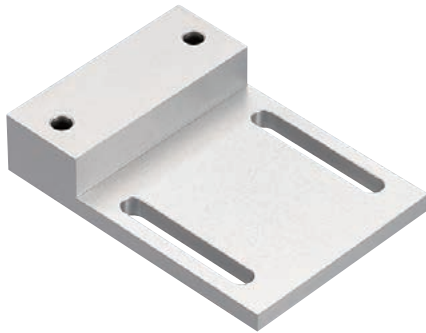
Easy mini cylinder position adjustment.



Mini cylinder • slide plate

Order code No.	370793
Standard	CP-030 (10H)

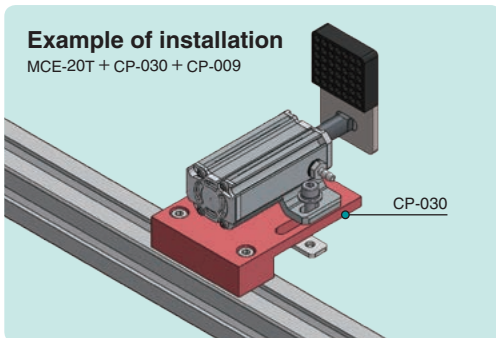
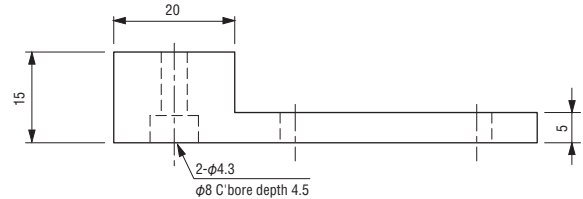
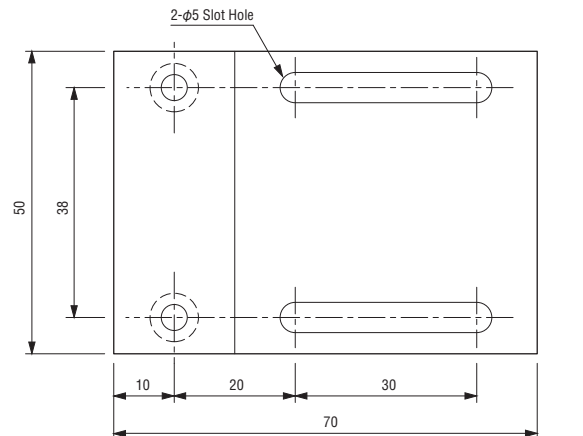
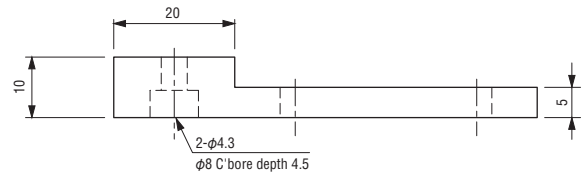
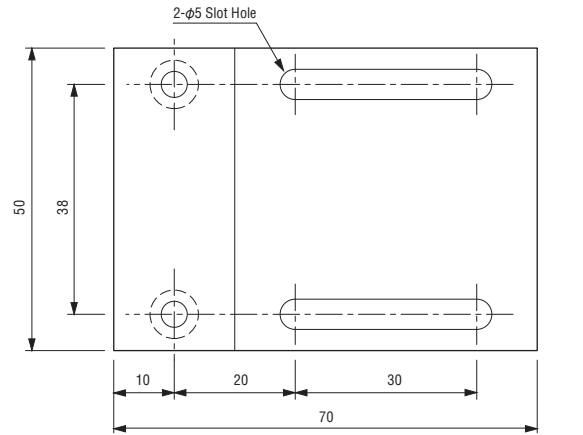
- Weight: 53g
- Use nut plate to attach mini cylinder.



Mini cylinder • slide plate

Order code No.	370722
Standard	CP-030 (15H)

- Weight: 64g
- Use nut plate to attach mini cylinder.



Quick Chuck Change

Quick Chuck Change (Manual)

Tool Changer

Automated Chuck Exchange System

Grip

Mini Cylinder

Accessories for Mini Cylinder

Container Cylinders

Accessories for Container Cylinder

Grippers

Buffer Material

Suction

Suction Cups

Suction Stem

Pad in Pad

Air Ejector/Filter/Check Valve

Micro Mold E.O.A.T

Cut

Mini Air Nippers

Air Nippers

Frame/Module

Jungle Gym

Let's Joint

Rectangular Tube

Base Aluminum Material

Sliding Chuck

Tubing/Sensors

Tubing

Sensors

Other Products

Others

Information



Specification

Product name	Order code No.	Standard	Structure	Used air pressure ^{*2} (Mpa)	Withstand pressure (Mpa)	Output ^{*1} (N)	Stroke (mm)	Weight (g)	Page of Details
Mini container cylinder	131014	NCON-M10S	Single action type	0.39~0.49 (4~5kgf/cm ²)	1 (10kgf/cm ²)	Push 154 (16kgf)	10	135	2-17
	131015	NCON-M15S					15	145	
	131016	NCON-M20S					20	155	
	130709	NCON-M10W	Double action type		1 (10kgf/cm ²)	Push 154 (16kgf) Pull 129 (13kgf)	10	135	
	130710	NCON-M15W					15	145	
	130711	NCON-M20W					20	155	
	130712	NCON-M25W			25	165			
	130713	NCON-M30W			30	175			
Container cylinder	130707	NCON-20W	Double action type	0.39~0.49 (4~5kgf/cm ²)	1 (10kgf/cm ²)	Push 314 (32kgf) Pull 263 (26.8kgf)	20	340	2-18
	130708	NCON-40W					40	415	
	130829	NCON-80W					80	557	

Product name	Order code No.	Standard	Structure	Used air pressure ^{*2} (Mpa)	Cylinder diameter (Mpa)	Output ^{*3} (N)	Stroke (mm)	Weight (g)	Page of Details
Container cylinder reinforced (double)	130869	NCON-40WK	Double action type	0.39 ~ 0.59	20	314 (32kgf)	40	688	2-18
Container cylinder hi-torque (double)	151261	PCON-50W	Double action type	0.39 ~ 0.59	25	490 (50kgf)	50	844	
Container cylinder w/ guided (double)	060496	GCYL20*20	Double action type	0.39 ~ 0.59	20	157 (16kgf)	20	526	2-19
	060497	GCYL20*40					40	670	
	060498	GCYL20*50					50	746	
	060499	GCYL20*75					75	1,000	
	060500	GCYL20*100					100	1,192	
	060501	GCYL20*150					150	1,576	

Auto switch (reed SW)	030282	D-A93	-	-	-	-	-	6	2-17,19
Auto switch (contactless)	030425	D-M9N	-	-	-	-	-	8	2-17,19

*1 : Used air pressure (0.49Mpa) *2 : Fluid to be used/Clean air, Ambient temperature/5 °C - 40°C *3 : Used air pressure (0.5Mpa)

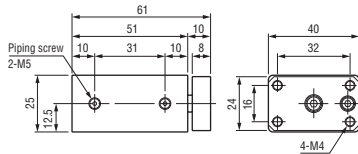


Mini Container Cylinders (Single / Double)

Smooth operation with fit drive guide.

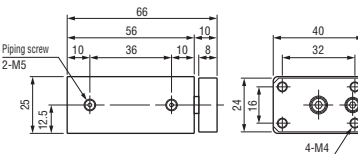
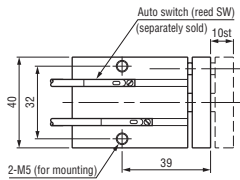
Single Action Type

Installation of auto switch for act/return limit is possible.



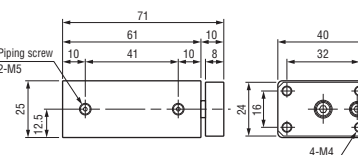
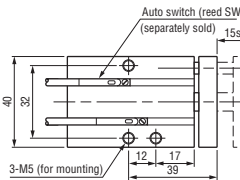
Order code No. **131014**
Standard **NCON-M10S**

- Stroke: 10mm
- Weight: 135g



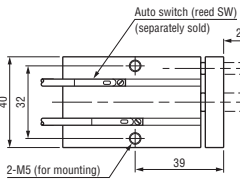
Order code No. **131015**
Standard **NCON-M15S**

- Stroke: 15mm
- Weight: 145g



Order code No. **131016**
Standard **NCON-M20S**

- Stroke: 20mm
- Weight: 155g



Auto switch (reed SW)

Order code No. **030282**
Standard **D-A93**

- Weight: 6g
- Applicable load: relay, PLC
- Load voltage: 24VDC
- Load current range: 5mA~40mA
- Lead wire: 0.5m brown (+) blue (-)
- Indicator light



Auto switch (contactless)

Order code No. **030425**
Standard **D-M9N**

- Weight: 8g
- Applicable load: relay, PLC
- Load voltage: 24VDC
- Load current range: ~40mA or lower
- Lead wire: 0.5M+V (brown), Load (black), 0V(blue)
- Indicator light

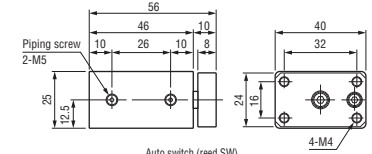
Example of mounting



NCON-M10S

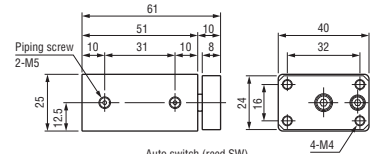
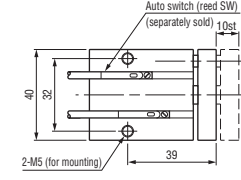
Double Action Type

Installation of auto switch for act/return limit is possible.



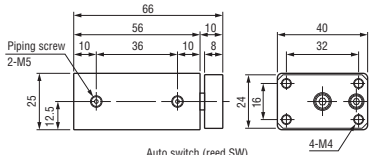
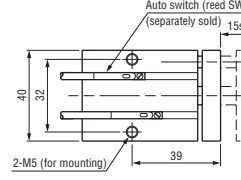
Order code No. **130709**
Standard **NCON-M10W**

- Stroke: 10mm
- Weight: 135g



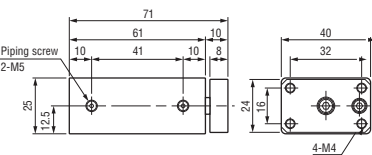
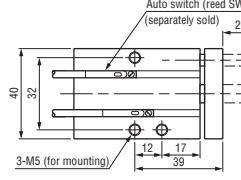
Order code No. **130710**
Standard **NCON-M15W**

- Stroke: 15mm
- Weight: 145g



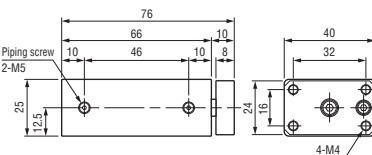
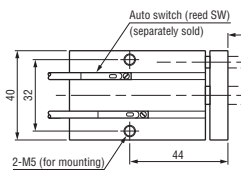
Order code No. **130711**
Standard **NCON-M20W**

- Stroke: 20mm
- Weight: 155g



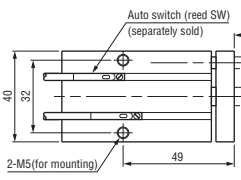
Order code No. **130712**
Standard **NCON-M25W**

- Stroke: 25mm
- Weight: 165g



Order code No. **130713**
Standard **NCON-M30W**

- Stroke: 30mm
- Weight: 175g



Quick Chuck Change

Quick Chuck Change (Manual)

Tool Changer

Automated Chuck Exchange System

Grip

Mini Cylinder

Accessories for Mini Cylinder

Container Cylinders

Accessories for Container Cylinder

Grippers

Buffer Material

Suction

Suction Cups

Suction Stem

Pad in Pad

Air Ejector / Filter / Check Valve

Micro Mold E.O.A.T

Cut

Mini Air Nippers

Air Nippers

Frame/Module

Jungle Gym

Let's Joint

Rectangular Tube

Base Aluminum Material

Sliding Chuck

Tubing/Sensors

Tubing

Sensors

Other Products

Others

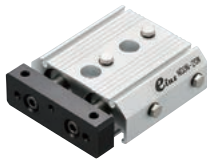
Information



Container Cylinders (Double / Reinforced / Hi-torque)

Smooth operation with double rods.

Installation of auto switch for act/return limit is possible.



Order code No.	130707
Standard	NCON-20W

- Stroke: 20mm
- Weight: 340g



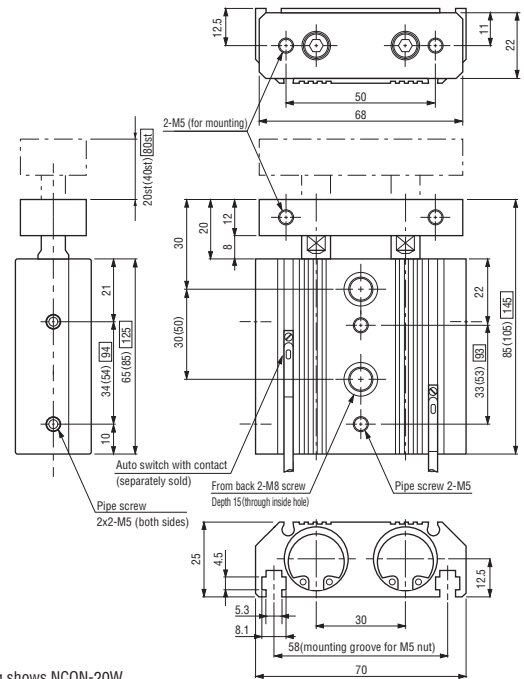
Order code No.	130708
Standard	NCON-40W

- Stroke: 40mm
- Weight: 415g



Order code No.	130829
Standard	NCON-80W

- Stroke: 80mm
- Weight: 557g



- * Base drawing shows NCON-20W.
- * Size in () shows size of NCON-40W.
- * Size in □ shows size of NCON-80W.

- ▶ High durability and long operation life with widemouthed cylinder and reinforcement of piston structure.



Container cylinder • reinforced (double)

Order code No.	130869
Standard	NCON-40WK

- Stroke: 40mm
- Weight: 688g

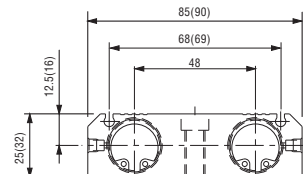
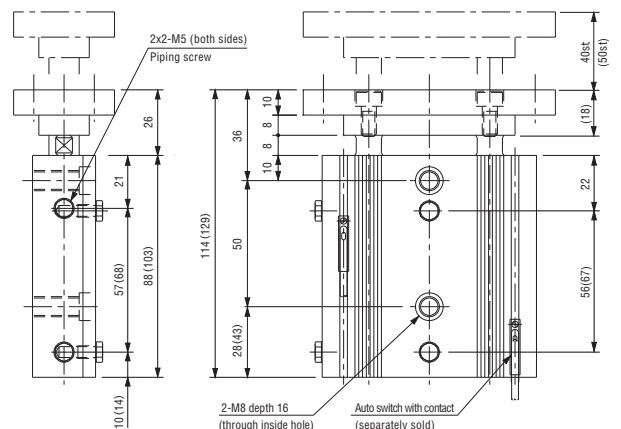
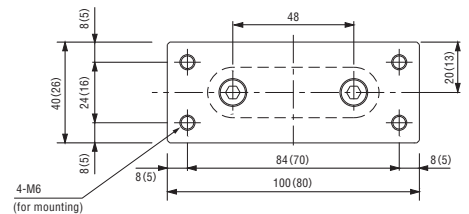
- ▶ The cylinder bore diameter is increased to provide high torque output.



Container cylinder • hi-torque (double)

Order code No.	151261
Standard	PCON-50W

- Stroke: 50mm
- Weight: 844g



- * Base drawing shows NCON-40WK.
- * Size in () shows size of PCON-50W.



Container Cylinder w/ Guided (Double)

Improved durability with integral-type aluminum body.

Installation of auto switch for act/return limit is possible.



Order code No.	060496
Standard	GCYL20*20

- Stroke: 20mm
- Weight: 526g



Order code No.	060497
Standard	GCYL20*40

- Stroke: 40mm
- Weight: 670g



Order code No.	060498
Standard	GCYL20*50

- Stroke: 50mm
- Weight: 746g



Order code No.	060499
Standard	GCYL20*75

- Stroke: 75mm
- Weight: 1,000g



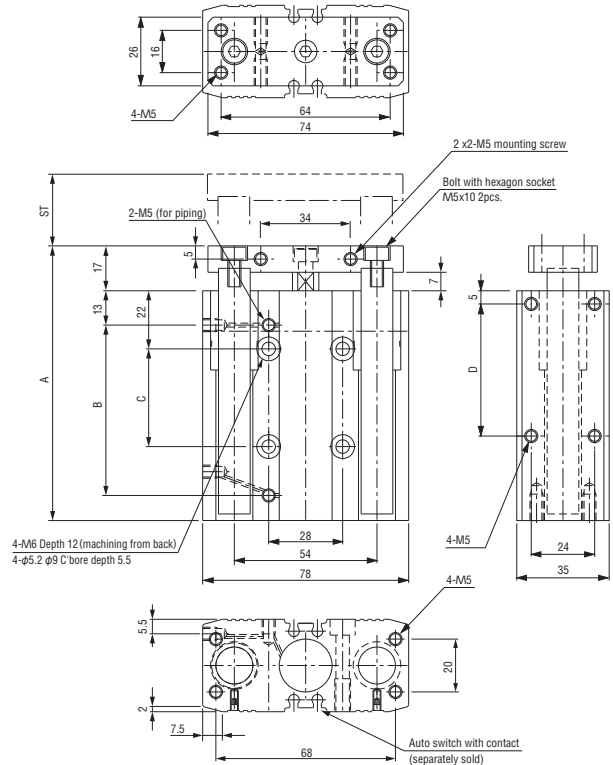
Order code No.	060500
Standard	GCYL20*100

- Stroke: 100mm
- Weight: 1,192g



Order code No.	060501
Standard	GCYL20*150

- Stroke: 150mm
- Weight: 1,576g



■ Dimensions (mm)

Standard	GCYL20*20	GCYL20*40	GCYL20*50	GCYL20*75	GCYL20*100	GCYL20*150
ST	20	40	50	75	100	150
A	74	94	104	136.5	171.5	231.5
B	34.5	54.5	64.5	89.5	114.5	164.5
C	17	37	37	60	60	120
D	30	50	50	85	85	135



Auto switch (reed SW)

Order code No.	030282
Standard	D-A93

- Weight: 6g
- Applicable load: relay, PLC
- Load voltage: 24VDC
- Load current range: 5mA~40mA
- Lead wire: 0.5m brown (+) blue (-)
- Indicator light



Auto switch (contactless)

Order code No.	030425
Standard	D-M9N

- Weight: 8g
- Applicable load: relay, PLC
- Load voltage: 24VDC
- Load current range: ~40mA or lower
- Wiring: 0.5M + V (brown), Load (black), 0V (blue)
- Indicator light

Quick Chuck Change

Quick Chuck Change (Manual)

Tool Changer

Automated Chuck Exchange System

Grip

Mini Cylinder

Accessories for Mini Cylinder

Container Cylinders

Accessories for Container Cylinder

Grippers

Buffer Material

Suction

Suction Cups

Suction Stem

Pad in Pad

Air Ejector / Filter / Check Valve

Micro Mold E.O.A.T

Cut

Mini Air Nippers

Air Nippers

Frame/Module

Jungle Gym

Let's Joint

Rectangular Tube

Base Aluminum Material

Sliding Chuck

Tubing/Sensors

Tubing

Sensors

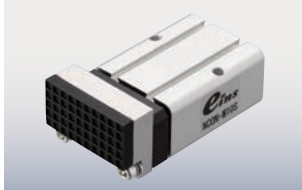
Other Products

Others

Information



Pads



Used for work grip or positioning.

Nut plates

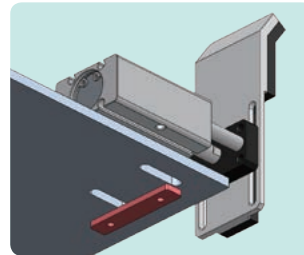


For fixing container cylinders.

Extension plate



Setting position can be changed according to the work shape.



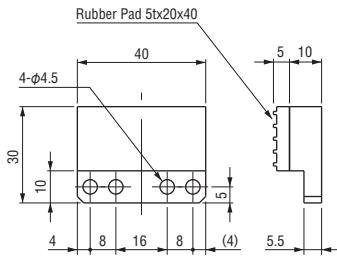
Specification

Product name	Order code No.	Standard	Weight (g)	Material	Page of details
Pad · for mini container cylinder	 131256	NCON-CP-01	34	Nitrile rubber	2-21
	 131257	NCON-CP-02	38		
	 131258	NCON-CP-03	38	—	
	 131259	NCON-CP-04	71	Nitrile rubber	
	 131260	NCON-CP-05	71		
	 131281	NCON-CP-06	96		
Extended plate (for wear plate)	 230071	XL0006-104	31	—	
Nut plate · for container cylinder	 023196	CP-075	10	—	



Pads / Extension Plate / Nut Plate

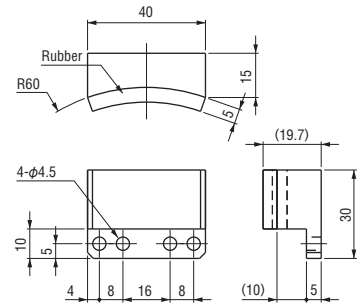
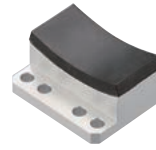
Pads for mini container cylinder.



Pad • for mini container cylinder

Order code No.	131256
Standard	NCON-CP-01

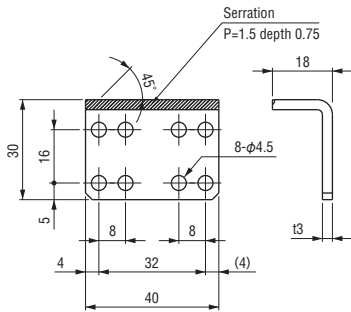
- Material: nitrile rubber
- Weight: 34g



Pad • for mini container cylinder

Order code No.	131257
Standard	NCON-CP-02

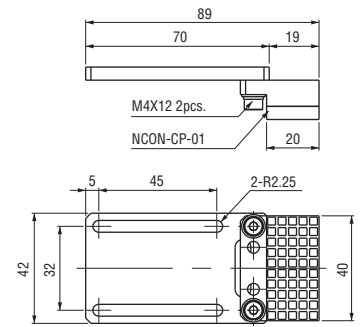
- Material: nitrile rubber
- Weight: 38g



Pad • for mini container cylinder

Order code No.	131258
Standard	NCON-CP-03

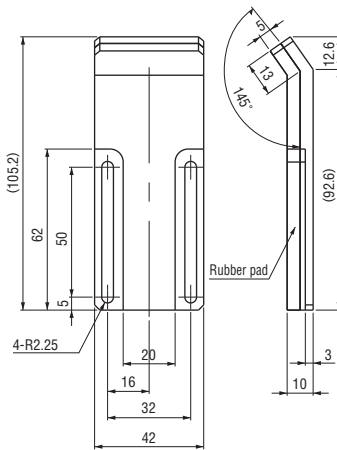
- Weight: 38g



Pad • for mini container cylinder

Order code No.	131259
Standard	NCON-CP-04

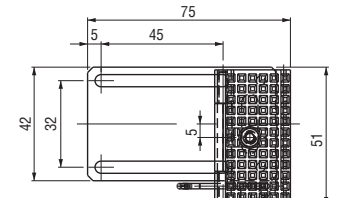
- Material: nitrile rubber
- Weight: 71g



Pad • for mini container cylinder

Order code No.	131260
Standard	NCON-CP-05

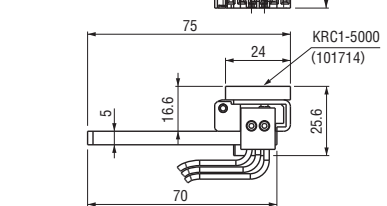
- Material: nitrile rubber
- Weight: 71g



Pad • for mini container cylinder

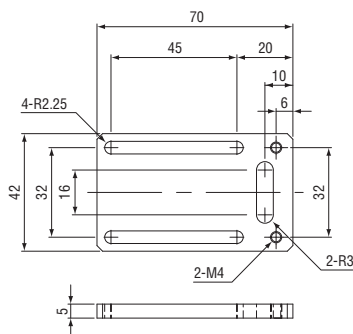
Order code No.	131281
Standard	NCON-CP-06

- Material: nitrile rubber
- Weight: 96g



* Wiring : black (COM) blue (NO) red (NC)
 A contact specification : black (COM) blue (NO)
 B contact specification : black (COM) red (NC)

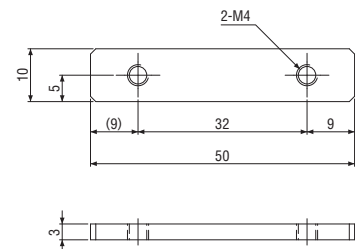
- * Base drawing: CHK-EMBF-12
- * Dimension < > : CHK-EMBF-12-C The dimension includes the size of the proximity switch.
- * Dimension [] : CHK-EMBF-12-C1 The dimension includes the size of the proximity switch.



Extended plate (for wear plate)

Order code No.	230071
Standard	XL0006-104

- Weight: 31g



Nut plate for container cylinder

Order code No.	023196
Standard	CP-075

- Weight: 10g

Quick Chuck Change

- Quick Chuck Change (Manual)
- Tool Changer
- Automated Chuck Exchange System

Grip

- Mini Cylinder
- Accessories for Mini Cylinder
- Container Cylinders
- Accessories for Container Cylinder

Grippers

- Buffer Material

Suction

- Suction Cups
- Suction Stem
- Pad in Pad
- Air Ejector / Filter / Check Valve
- Micro Mold E.O.A.T

Cut

- Mini Air Nippers
- Air Nippers

Frame/Module

- Jungle Gym
- Let's Joint
- Rectangular Tube
- Base Aluminum Material
- Sliding Chuck

Tubing/Sensors

- Tubing
- Sensors

Other Products

- Others
- Information



Runner Chuck E Series (Claw Superduralumin)



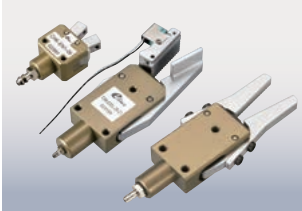
Lightweight, high rigidity, and long operating life with superduralumin. Mounting selection for Tap type and Eins Parts (jungle-gym series) is possible.

Magnet Chucks



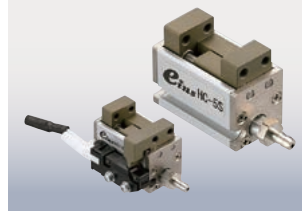
Neodymium magnet is embedded in the piston section.

Runner Chuck E1 Series (Steel Type)



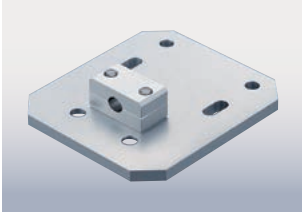
Using superduralumin body and steel claw allows a wide range of uses. Two types of check limits can be selected.

Parallel Chucks (Single / Double)



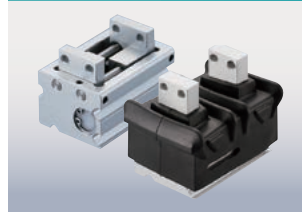
Compact design with low profile and small space.

Runner Module



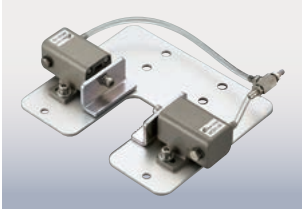
Module kit for runner extraction.

Parallel Hand 15st (Double)



Durable bush guide is used. Parts with rubber for clean-room design are also available.

Runner Chuck Plate



Extracts runners with MCD1-10 mini cylinder which is directly attached to the robot arm.

Needle Gripper



Embedded needle allows holding fiber workpiece with high air permeability.

Tunnel Gate Runner Chuck



Jumping tunnel gate is caught with tapered section.

Hinge Chuck Clamp Unit (Double)



Best Clamp Unit for Hinge Chuck for taking out auto parts of large-scale bumper and Instrument panel, etc.

Pipe Combination Chuck



Special cylinder of hinge structure which operates 90 degrees. Used with jungle gym series parts.

Runner chuck E series (Claw superduralumin)



With sensor
(Straight claw type)

Runner chuck E1 series (Steel claw type)



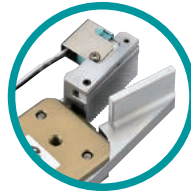
With proximity sensor
(Straight claw type)



With Limit SW
(Straight claw type)



With proximity sensor
(L claw type)



With Limit SW
(L claw type)

Specification

Product name		Order code No.	Standard	Weight (g)	Grip (N)	Remarks	Page of Details		
E series (Super duralumin • straight claw type)	Runner chuck ES (w/o sensor)		022879	CHK-ES-08	18	5	w/o sensor	2-28	
	Runner chuck ES (with sensor)		022883	CHK-ES-08-C	32		Proximity sensor		
	Runner chuck EM (w/o sensor)		022878	CHK-EM-12	46	28	w/o sensor		
	Runner chuck EM (with sensor)		022882	CHK-EM-12-C	56		Proximity sensor		
	Runner chuck EL (w/o sensor)		022877	CHK-EL-12	94	45	w/o sensor		2-29
	Runner chuck EL (with sensor)		022881	CHK-EL-12-C	104		Proximity sensor		
	Runner chuck EX (w/o sensor)		022876	CHK-EX-20	180	80	w/o sensor		
	Runner chuck EX (with sensor)		022880	CHK-EX-20-C	190		Proximity sensor		
E1 series (Steel • straight claw type)	Runner chuck EN (w/o sensor)		022991	CHK-EN1-06	10	2	w/o sensor	2-30	
	Runner chuck ES (w/o sensor)		022992	CHK-ES1-08	22	5	w/o sensor		
	Runner chuck ES (with proximity sensor)		022998	CHK-ES1-08-C	38		Proximity sensor		
	Runner chuck ES (with Limit SW)		023004	CHK-ES1-08-C1	33		Limit SW		
	Runner chuck EM (w/o sensor)		022993	CHK-EM1-12	67	28	w/o sensor		
	Runner chuck EM (with proximity sensor)		022999	CHK-EM1-12-C	79		Proximity sensor		
	Runner chuck EM (with Limit SW)		023005	CHK-EM1-12-C1	73		Limit SW		
	Runner chuck EL (w/o sensor)		022994	CHK-EL1-12	143	45	w/o sensor		2-31
	Runner chuck EL (with proximity sensor)		023000	CHK-EL1-12-C	155		Proximity sensor		
	Runner chuck EL (with Limit SW)		023006	CHK-EL1-12-C1	145		Limit SW		
	Runner chuck EX (w/o sensor)		022995	CHK-EX1-20	280	80	w/o sensor		
	Runner chuck EX (with proximity sensor)		023001	CHK-EX1-20-C	283		Proximity sensor		
	Runner chuck EX (with Limit SW)		023007	CHK-EX1-20-C1	272		Limit SW		

Quick Chuck Change

Quick Chuck Change (Manual)

Tool Changer

Automated Chuck Exchange System

Grip

Mini Cylinder

Accessories for Mini Cylinder

Container Cylinders

Accessories for Container Cylinder

Grippers

Buffer Material

Suction

Suction Cups

Suction Stem

Pad in Pad

Air Ejector/Filter/Check Valve

Micro Mold E.O.A.T

Cut

Mini Air Nippers

Air Nippers

Frame/Module

Jungle Gym

Let's Joint

Rectangular Tube

Base Aluminum Material

Sliding Chuck

Tubing/Sensors

Tubing

Sensors

Other Products

Others

Information

Runner chuck E1 series (Steel claw type)



Runner chuck EM
(Attachment/detachment claw)



Runner chuck EM
(Proximity sensor attachment/
detachment claw)



Runner chuck EM
(Limit SW attachment/
detachment claw)



Runner chuck EX
(Attachment/detachment claw)



Runner chuck EX
(Proximity sensor attachment/
detachment claw)




Runner chuck EX
(Limit SW attachment/
detachment claw)

■ Specification

Product name		Order code No.	Standard	Weight (g)	Grip (N)	Remarks	Page of Details
E1 series (steel L claw type)	Runner chuck EL (w/o sensor)	022996	CHK-EL1L-12	170	45	w/o sensor	2-32
	Runner chuck EL (with proximity sensor)	023160	CHK-EL2L-12-C	196		Proximity sensor	
	Runner chuck EL (with Limit SW)	023161	CHK-EL2L-12-C1	186		Limit SW	
	Runner chuck EX (w/o sensor)	022997	CHK-EX1L-20	305	80	w/o sensor	
	Runner chuck EX (with proximity sensor)	023158	CHK-EX2L-20-C	335		Proximity sensor	
	Runner chuck EX (with Limit SW)	023159	CHK-EX2L-20-C1	325		Limit SW	
E1 series (Steel attachable and detachable type claw)	Runner chuck EM (detachable/attachable claw)	023284	CHK-EMBF-12	70	28	w/o sensor	2-33
	Runner chuck EM (proximity sensor detachable/attachable claw)	023286	CHK-EMBF-12-C	85		Proximity sensor	
	Runner chuck EM (limit SW detachable/attachable claw)	023288	CHK-EMBF-12-C1	77		Limit SW	
	Runner chuck EM (attachment/detachment claw)	023285	CHK-EMF-12	12	—	w/o sensor	
	Runner chuck EM (proximity sensor attachment/detachment claw)	023287	CHK-EMF-12-C	27	—	Proximity sensor	
	Runner chuck EM (limit SW attachment/detachment claw)	023289	CHK-EMF-12-C1	20	—	Limit SW	
	Runner chuck EX (detachable/attachable claw)	023290	CHK-EXBF-20	272	80	w/o sensor	
	Runner chuck EX (proximity sensor detachable/attachable claw)	023292	CHK-EXBF-20-C	287		Proximity sensor	
	Runner chuck EX (limit SW detachable/attachable claw)	023294	CHK-EXBF-20-C1	278		Limit SW	
Runner chuck EX (attachment/detachment claw)	023291	CHK-EXF-20	40	—	w/o sensor	2-34	
Runner chuck EX (proximity sensor attachment/detachment claw)	023293	CHK-EXF-20-C	54	—	Proximity sensor		
Runner chuck EX (limit SW attachment/detachment claw)	023295	CHK-EXF-20-C1	40	—	Limit SW		

Product name		Order code No.	Standard	Weight (g)	Grip (N)	Remarks	Page of Details
Sensor switch for exchange	Proximity sensor Ass'y (E series)	 023086	CHK-ESE	10	-	For ES	2-29
		023087	CHK-EMLXE			For EM, EL, EX	
	Proximity sensor Ass'y (E1 series)	 023014	CHK-E1SME	15		For ES1 and EM1	2-31
		023015	CHK-E1LXE			For EL1,EX1,EL2L,EX2L	
	Limit switch Ass'y (E1 series)	 023016	CHK-E1SW	7		For ES1,EM1,EL1,EX1,EL2L,EX2L	

Product name		Order code No.	Standard	Weight (g)	Remarks	Page of Details
Runner module (w/o chuck)		171227	RM-08	111	For CHK-ES,ES1	2-35
		171228	RM-12	116	For CHK-EM, EM1, EL, EL2, EL2L	
		171229	RM-20	131	For CHK-EX, EX1, EX2L	
Runner chuck plate		022892	CHK-MCD01	396	MCD1-10/CP-014	
Tunnel gate runner chuck		090140	J25411-100	76	UMCD-10/CPUM-02	2-36
		090141	J25411-000	185	MCD1-10/CP-014	
Pipe combination chuck E • $\phi 12 \cdot 90$ deg		090204	J25410-40A	28	BF-5 (joint) attached	2-37
Pipe combination chuck D • $\phi 20 \cdot 90$ deg		090203	J25410-30A	78		
90 degree flat A		131218	N01871-101	4.4	For J25410-400	2-37,38
90 degree flat B		131479	N01871-102	10.4	J25410-300 MCY-H	
Hinge cylinder		123503	MCE-H	121	Double action type BF-5 (joint) attached	2-38
Magnet chucks		123218	MGC-20	95	Double-act-type Cylinder	2-39
Magnet chuck end rubber		123571	MGC-C	3	End rubber for MGC-20	

Quick Chuck Change

Quick Chuck Change (Manual)

Tool Changer

Automated Chuck Exchange System

Grip

Mini Cylinder

Accessories for Mini Cylinder

Container Cylinders

Accessories for Container Cylinder

Grippers

Buffer Material

Suction

Suction Cups

Suction Stem

Pad in Pad

Air Ejector/Filter/Check Valve

Micro Mold E.O.A.T

Cut

Mini Air Nippers

Air Nippers

Frame/Module

Jungle Gym

Let's Joint

Rectangular Tube

Base Aluminum Material

Sliding Chuck

Tubing/Sensors

Tubing

Sensors

Other Products

Others

Information

Product name		Order code No.	Standard	Weight (g)	Remarks	Page of Details
Magnet chucks		185352	SSGM 40G1/4-IG	240	W/o sensor	2-39
		185358	SSGM-S-40-G1/4-IG-NPN	260	W/ NPN output sensor	
		185355	SSGM-S-40-G1/4-IG-PNP		W/ PNP output sensor	
		185353	SSGM 50G1/4-IG	440	W/o sensor	
		185359	SSGM-S-50-G1/4-IG-NPN	460	W/ NPN output sensor	
		185356	SSGM-S-50-G1/4-IG-PNP		W/ PNP output sensor	
		185354	SSGM 70G1/4-IG	715	W/o sensor	
		185360	SSGM-S-70-G1/4-IG-NPN	735	W/ NPN output sensor	
		185357	SSGM-S-70-G1/4-IG-PNP		W/ PNP output sensor	
Parallel chuck • single • 5ST		072172	HC-5S	32	5mm (stroke)	2-40,41
Parallel chuck • single • 10ST		072171	HC-10S	70	10mm (stroke)	
Parallel chuck • double • 10ST		072170	HC-10			
With two-wire-type limit switch	Parallel chuck • single • 5ST	072702	HC1-5S-C1	50	5mm (stroke)	
	Parallel chuck • single • 10ST	072703	HC1-10S-C1	95	10mm (stroke)	
	Parallel chuck • double • 10ST	072705	HC1-10-C1			
	Parallel chuck • single • 20ST	072704	HC1-20S-C1	305	20mm (stroke)	
	Parallel chuck • double • 20ST	072706	HC1-20-C1	300		
Claws	Claw • for parallel chuck	023215	CP-HC10N	9	For HC1-10, 10S	2-41
		023216	CP-HC20N	26	For HC1-20, 20S	
Spacer	Spacer • for parallel chuck	023217	CP-HC10S	1	For HC1-10, 10S	
		023218	CP-HC20S	2	For HC1-20, 20S	

Product name		Order code No.	Standard	Weight (g)	Remarks	Page of Details
Auto switch (reed SW)		 030282	D-A93	6	Reed Sw	2-38, 40
Auto switch (contactless)		 030425	D-M9N	8	Contactless	2-38,40, 42,43
Limit switch Ass'y		 072708	HC1-SW1	10	For HC1-5S/10/10S Mounting bolt nut attached	2-40
		072709	HC1-SW2		For HC1-20/20S Mounting bolt nut attached	
Parallel chuck • double act • 40ST * 2		 282205	2HC1-80	650	40mm × 2 (stroke)	2-42
Parallel chuck (Single)	Standard type	 123401	MHZ2-10S	55	4mm (stroke)	2-43
	Narrow type		MHZ2-10SN			
Parallel hand • double • 15ST		 071996	HLA-12AS	152	15mm (stroke)	2-44
Parallel hand • double • 20ST			HLA-15AS	276	20mm (stroke)	
Parallel hand • double • 25ST			HLA-20AS	504	25mm (stroke)	
Parallel hand • double • 15ST • w/ rubber cover			071999	HLAG-12AS	157	
Parallel hand • double • 20ST • w/ rubber cover		 072000	HLAG-15AS	281	20mm (stroke)	
Auto switch (contactless)		 010633	E16-M1	18	Contactless	2-44
Needle gripper		 186255	SNG-M-4-0.8	80	Diameter: 0.8mm	2-45
		186256	SNG-AP-10-0.8-V-10	225		
		186257	SNG-AP-10-1.2-V-10		Diameter: 1.2mm	
Needle piston set for exchange (4 pcs)		 041925	ERS-SET-SNG-M-0.8	12	For SNG-M-4-0.8	
Needle holder set for exchange (2 pcs)		 041926	ERS-SET-SNG-AP/AE-0.8-10	6	For SNG-AP-10-0.8-V-10	
		041927	ERS-SET-SNG-AP/AE-1.2-10		For SNG-AP-10-1.2-V-10	
Hinge chuck • clamp unit (double)		 110566	L11540-000	913	0-11.5 (degree)	2-46
Hinge chuck • suction stem		 110567	L11540-109	7	—	

Quick Chuck Change

Quick Chuck Change (Manual)

Tool Changer

Automated Chuck Exchange System

Grip

Mini Cylinder

Accessories for Mini Cylinder

Container Cylinders

Accessories for Container Cylinder

Grippers

Buffer Material

Suction

Suction Cups

Suction Stem

Pad in Pad

Air Ejector / Filter / Check Valve

Micro Mold E.O.A.T

Cut

Mini Air Nippers

Air Nippers

Frame/Module

Jungle Gym

Let's Joint

Rectangular Tube

Base Aluminum Material

Sliding Chuck

Tubing/Sensors

Tubing

Sensors

Other Products

Others

Information



Runner Chuck E Series (Claw Superduralumin)

Lightweight, high rigidity, and long operating life with superduralumin.

▶ Attach with tapped hole or Eins connector parts (Jungle Gym ø8 series).



CHK-ES-08-C

Runner chuck ES w/o sensor

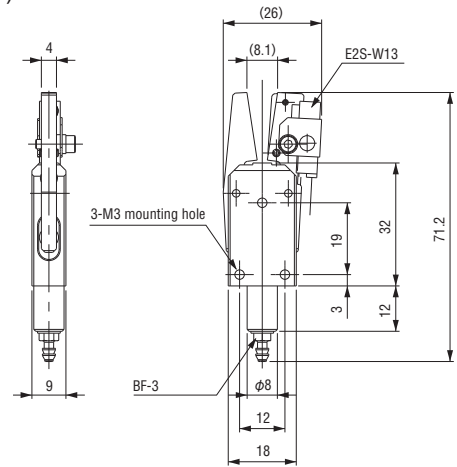
Order code No.	022879
Standard	CHK-ES-08

- Weight: 18g
- Grip: 5N
- With joint BF-3 for piping

Runner chuck ES w/ sensor

Order code No.	022883
Standard	CHK-ES-08-C

- Weight: 32g
- Grip: 5N
- With joint BF-3 for piping
- Sensor: direct current, three-wire system.
- Terminal process is not made.
- Harness length: 1,000mm



▶ Attach with tapped hole or Eins connector parts (Jungle Gym ø12 series).



CHK-EM-12-C

Runner chuck EM w/o sensor

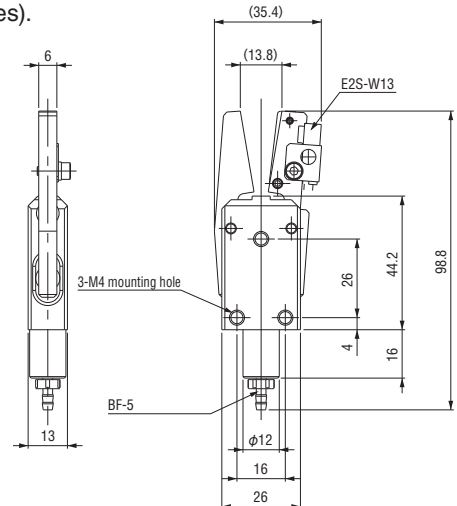
Order code No.	022878
Standard	CHK-EM-12

- Weight: 46g
- Grip: 28N
- With joint BF-5 for piping

Runner chuck EM w/ sensor

Order code No.	022882
Standard	CHK-EM-12-C

- Weight: 56g
- Grip: 28N
- With joint BF-5 for piping
- Sensor: direct current, three-wire system.
- Terminal process is not made.
- Harness length: 1,000mm



▶ Attach with tapped hole or Eins connector parts (Jungle Gym ø12 series).



CHK-EL-12-C

Runner chuck EL w/o sensor

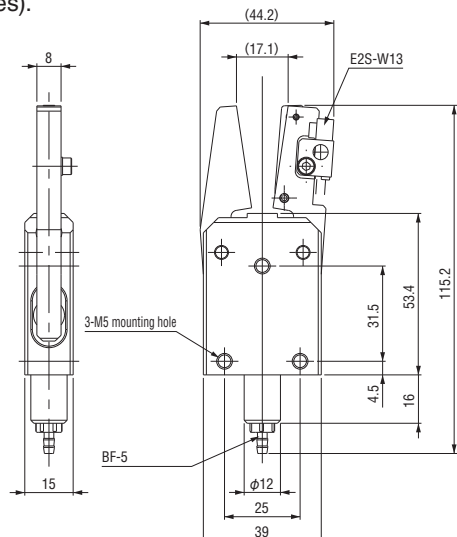
Order code No.	022877
Standard	CHK-EL-12

- Weight: 94g
- Grip: 45N
- With joint BF-5 for piping

Runner chuck EL w/ sensor

Order code No.	022881
Standard	CHK-EL-12-C

- Weight: 104g
- Grip: 45N
- With joint BF-5 for piping
- Sensor: direct current, three-wire system.
- Terminal process is not made.
- Harness length: 1,000mm



▶ Attach with tapped hole or Eins connector parts (Jungle Gym ϕ 20 series).



CHK-EX-20-C

Runner chuck EX w/o sensor

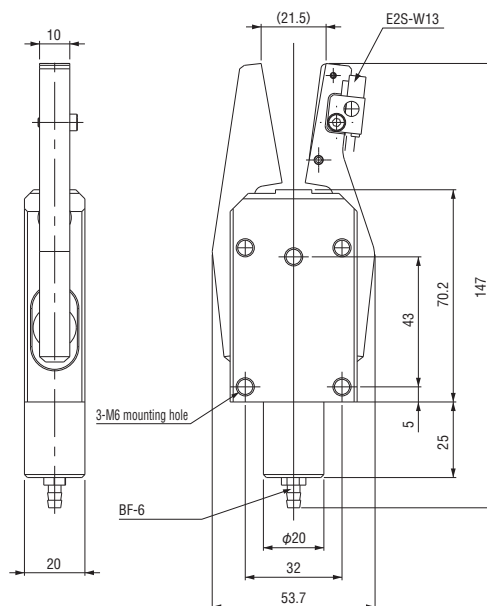
Order code No.	022876
Standard	CHK-EX-20

- Weight: 180g
- Grip: 80N
- With joint BF-6 for piping

Runner Chuck EX w/ sensor

Order code No.	022880
Standard	CHK-EX-20-C

- Weight: 190g
- Grip: 80N
- With joint BF-6 for piping
- Sensor: direct current, three-wire system.
- Terminal process is not made.
- Harness length: 1,000mm



Proximity sensor Ass'y

Order code No.	023086
Standard	CHK-ESE

- Weight: 10g
- For ES (Installation to E1 series is impossible).
- Set Includes: proximity sensor, mounting bracket, spring, mounting bolts
- Terminal process is not made.
- Harness length: 1,000mm

Proximity sensor Ass'y

Order code No.	023087
Standard	CHK-EMLXE

- Weight: 10g
- For EM/EL/EX (Installation to E1 series is impossible).
- Set Includes: proximity sensor, mounting bracket, spring, mounting bolts
- Terminal process is not made.
- Harness length: 1,000mm

Specifications of sensor section

Standard	E2S-W13
Power supply voltage	DC12 - 24V
Electric power consumption	13mA or less
Consumption output	NPN
Wiring	1M brown (+V) black (output) blue (0V)
Others	With indicator lamp

Quick Chuck Change

Quick Chuck Change (Manual)

Tool Changer

Automated Chuck Exchange System

Grip

Mini Cylinder

Accessories for Mini Cylinder

Container Cylinders

Accessories for Container Cylinder

Grippers

Buffer Material

Suction

Suction Cups

Suction Stem

Pad in Pad

Air Ejector/Filter/Check Valve

Micro Mold E.O.A.T

Cut

Mini Air Nippers

Air Nippers

Frame/Module

Jungle Gym

Let's Joint

Rectangular Tube

Base Aluminum Material

Sliding Chuck

Tubing/Sensors

Tubing

Sensors

Other Products

Others

Information



Runner Chuck E1 Series (Steel Claw)

Wear resistance improved by using steel claw.

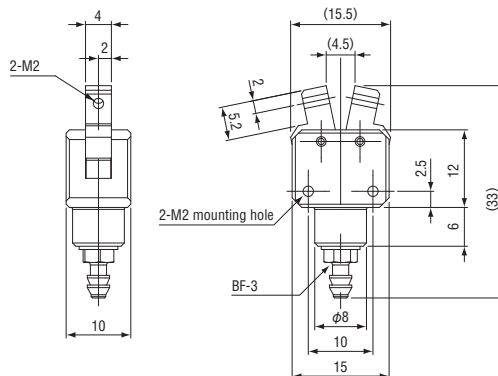
▶ Attach with tapped hole or Eins connector parts (Jungle Gym ϕ 8 series).



Runner chuck EN w/o sensor

Order code No.	022991
Standard	CHK-EN1-06

- Weight: 10g ● Grip: 2N
- With joint BF-3 for piping
- Sensor cannot be retrofitted.



▶ Attach with tapped hole or Eins connector parts (Jungle Gym ϕ 8 series).

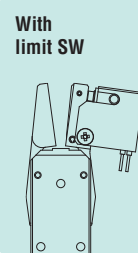
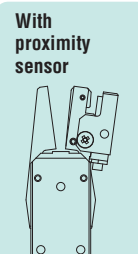
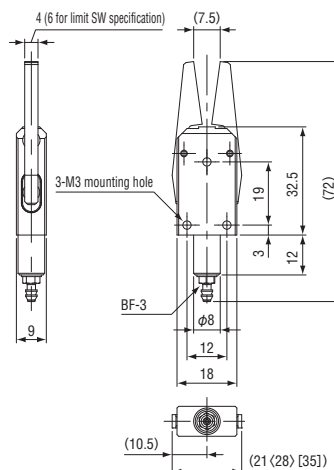


CHK-ES1-08

Runner chuck ES w/o sensor

Order code No.	022992
Standard	CHK-ES1-08

- Weight: 22g ● Grip: 5N
- With joint BF-3 for piping
- Sensor cannot be retrofitted.



Runner chuck ES w/ proximity sensor

Order code No.	022998
Standard	CHK-ES1-08-C

- Weight: 38g ● Grip: 5N
- With joint BF-3 for piping
- Sensor: direct current, three-wire system.
- Terminal process is not made.
- Harness length: 1,000mm

Runner chuck ES w/ limit SW

Order code No.	023004
Standard	CHK-ES1-08-C1

- Weight: 33g ● Grip: 5N
- With joint BF-3 for piping
- Sensor: direct current, two-wire system.
- Rated current: 1mA 5VAC to 100mA 30VDC
- Terminal process is not made.
- Harness length: 300mm

* Base drawing: CHK-ES1-08
 * Dimension < >: CHK-ES1-08-C The dimension includes the size of the proximity switch.
 * Dimension []: CHK-ES1-08-C1 The dimension includes the size of the proximity switch.

▶ Attach with tapped hole or Eins connector parts (Jungle Gym ϕ 12 series).

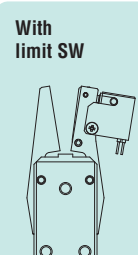
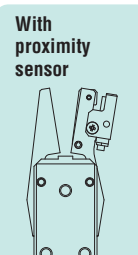
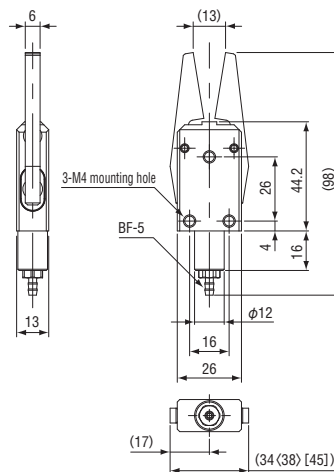


CHK-EM1-12

Runner chuck EM w/o sensor

Order code No.	022993
Standard	CHK-EM1-12

- Weight: 67g ● Grip: 28N
- With joint BF-5 for piping
- Sensor cannot be retrofitted.



Runner chuck EM w/ proximity sensor

Order code No.	022999
Standard	CHK-EM1-12-C

- Weight: 79g ● Grip: 28N
- With joint BF-5 for piping
- Sensor: direct current, three-wire system.
- Terminal process is not made.
- Harness length: 1,000mm

Runner chuck EM w/ limit SW

Order code No.	023005
Standard	CHK-EM1-12-C1

- Weight: 73g ● Grip: 28N
- With joint BF-5 for piping
- Sensor: direct current, two-wire system.
- Rated current: 1mA 5VAC to 100mA 30VDC
- Terminal process is not made.
- Harness length: 300mm

* Base drawing: CHK-EM1-12
 * Dimension < >: CHK-EM1-12-C The dimension includes the size of the proximity switch.
 * Dimension []: CHK-EM1-12-C1 The dimension includes the size of the proximity switch.

▶ Attach with tapped hole or Eins connector parts (Jungle Gym ϕ 12 series).



CHK-EL1-12

Runner chuck EL w/o sensor

Order code No.	022994
Standard	CHK-EL1-12

- Weight: 143g ● Grip: 45N
- With joint BF-5 for piping
- Sensor cannot be retrofitted.

Runner chuck EL w/ proximity sensor

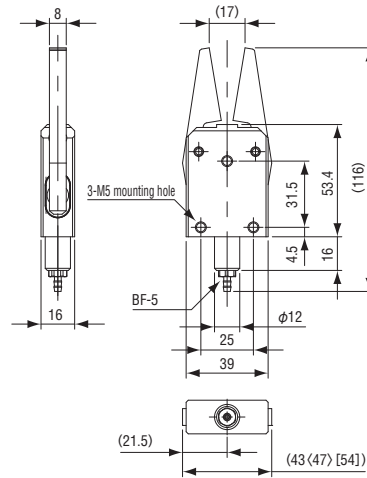
Order code No.	023000
Standard	CHK-EL1-12-C

- Weight: 155g ● Grip: 45N
- With joint BF-5 for piping
- Sensor: direct current, three-wire system.
- Terminal process is not made.
- Harness length: 1,000mm

Runner chuck EL w/ limit SW

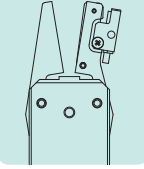
Order code No.	023006
Standard	CHK-EL1-12-C1

- Weight: 145g ● Grip: 45N
- With joint BF-5 for piping
- Sensor: direct current, two-wire system.
- Rated current: 1mA 5VAC to 100mA 30VDC
- Terminal process is not made.
- Harness length: 300mm

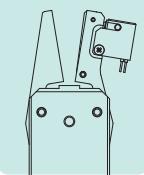


* Base drawing: CHK-EL1-12
 * Dimension < >: CHK-EL1-12-C The dimension includes the size of the proximity switch.
 * Dimension []: CHK-EL1-12-C1 The dimension includes the size of the proximity switch.

With proximity sensor



With limit SW



▶ Attach with tapped hole or Eins connector parts (Jungle Gym ϕ 20 series).



CHK-EX1-20

Runner chuck EX w/o sensor

Order code No.	022995
Standard	CHK-EX1-20

- Weight: 280g ● Grip: 80N
- With joint BF-6 for piping
- Sensor cannot be retrofitted.

Runner chuck EX w/ proximity sensor

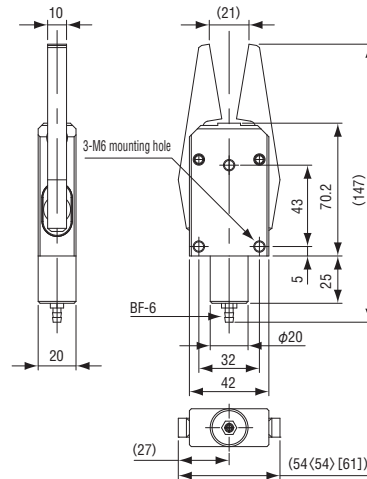
Order code No.	023001
Standard	CHK-EX1-20-C

- Weight: 283g ● Grip: 80N
- With joint BF-6 for piping
- Sensor: direct current, three-wire system.
- Terminal process is not made.
- Harness length: 1,000mm

Runner chuck EX w/ limit SW

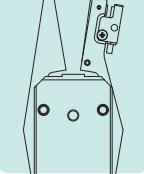
Order code No.	023007
Standard	CHK-EX1-20-C1

- Weight: 272g ● Grip: 80N
- With joint BF-6 for piping
- Sensor: direct current, two-wire system.
- Rated current: 1mA 5VAC to 100mA 30VDC
- Terminal process is not made.
- Harness length: 300mm

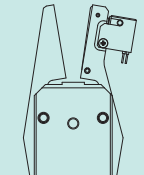


* Base drawing: CHK-EX1-20
 * Dimension < >: CHK-EX1-20-C The dimension includes the size of the proximity switch.
 * Dimension []: CHK-EX1-20-C1 The dimension includes the size of the proximity switch.

With proximity sensor



With limit SW



Proximity sensor Ass'y

Order code No.	023014
Standard	CHK-E1SME

- Weight: 15g
- For ES1/EM1 (Installation to E series is impossible).
- Set Includes: proximity sensor, sensor bracket, mounting bolts
- Terminal process is not made.
- Harness length: 1,000mm



Proximity sensor Ass'y

Order code No.	023015
Standard	CHK-E1LXE

- Weight: 15g
- For EL1/EX1/EL2L/EX2L (Installation to E series is impossible).
- Set Includes: proximity sensor, sensor bracket, mounting bolts
- Terminal process is not made.
- Harness length: 1,000mm



Limit switch Ass'y

Order code No.	023016
Standard	CHK-E1SW

- Weight: 7g
- For ES1/EM1/EL1/EX1/EL2L/EX2L (Installation to E series is impossible).
- Set Includes: limit switch, sensor bracket, mounting bolts
- Rated current: 1mA 5VAC to 100mA 30VDC
- Terminal process is not made.
- Harness length: 300mm

Quick Chuck Change

Quick Chuck Change (Manual)

Tool Changer

Automated Chuck Exchange System

Grip

Mini Cylinder

Accessories for Mini Cylinder

Container Cylinders

Accessories for Container Cylinder

Grippers

Buffer Material

Suction

Suction Cups

Suction Stem

Pad in Pad

Air Ejector/Filter/Check Valve

Micro Mold E.O.A.T

Cut

Mini Air Nippers

Air Nippers

Frame/Module

Jungle Gym

Let's Joint

Rectangular Tube

Base Aluminum Material

Sliding Chuck

Tubing/Sensors

Tubing

Sensors

Other Products

Others

Information



Runner Chuck E1 Series (Steel L Claw Type)

Wear resistance improved by using steel claw.

▶ Attach with tapped hole or Eins connector parts (Jungle gym ϕ 12 series).



CHK-EL1L-12

Runner chuck EL w/o sensor

Order code No.	022996
Standard	CHK-EL1L-12

- Weight: 170g ● Grip: 45N
- With joint BF-5 for piping
- Sensor cannot be retrofitted.

Runner chuck EL w/ proximity sensor

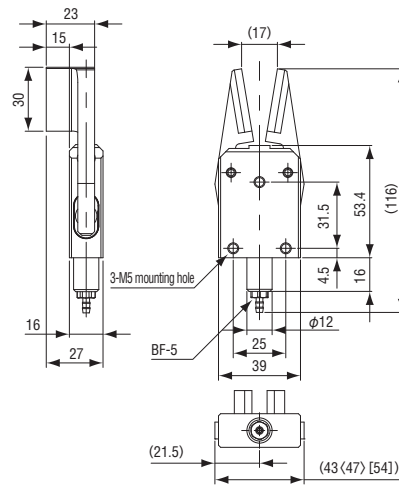
Order code No.	023160
Standard	CHK-EL2L-12-C

- Weight: 196g ● Grip: 45N
- With joint BF-5 for piping
- Sensor: direct current, three-wire system.
- Terminal process is not made.
- Harness length: 1,000mm

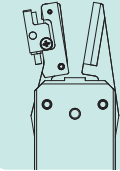
Runner chuck EL w/ limit SW

Order code No.	023161
Standard	CHK-EL2L-12-C1

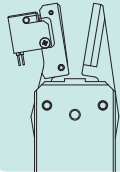
- Weight: 186g ● Grip: 45N
- With joint BF-5 for piping
- Sensor: direct current, two-wire system.
- Sensor mounting position was changed.
- Rated current: 1mA 5VAC to 100mA 30VDC
- Terminal process is not made.
- Harness length: 300mm



With proximity sensor



With limit SW



* Base drawing: CHK-EL1L-12

* Dimension < >: CHK-EL2L-12-C The dimension includes the size of the proximity switch.

* Dimension []: CHK-EL2L-12-C1 The dimension includes the size of the proximity switch.

▶ Attach with tapped hole or Eins connector parts (Jungle gym ϕ 20 series).



CHK-EX1L-20

Runner chuck EX w/o sensor

Order code No.	022997
Standard	CHK-EX1L-20

- Weight: 305g ● Grip: 80N
- With joint BF-6 for piping
- Sensor cannot be retrofitted.

Runner chuck EX w/ proximity sensor

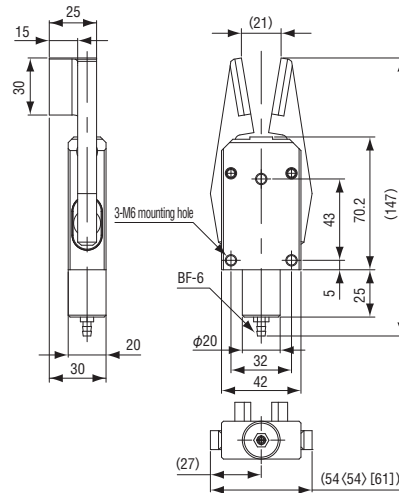
Order code No.	023158
Standard	CHK-EX2L-20-C

- Weight: 335g ● Grip: 80N
- With joint BF-6 for piping
- Sensor: direct current, three-wire system.
- Terminal process is not made.
- Harness length: 1,000mm

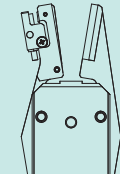
Runner chuck EX w/ limit SW

Order code No.	023159
Standard	CHK-EX2L-20-C1

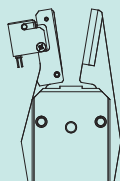
- Weight: 325g ● Grip: 80N
- With joint BF-6 for piping
- Sensor: direct current, two-wire system.
- Sensor mounting position was changed.
- Rated current: 1mA 5VAC to 100mA 30VDC
- Terminal process is not made.
- Harness length: 300mm



With proximity sensor



With limit SW



* Base drawing: CHK-EX1L-20

* Dimension < >: CHK-EX2L-20-C The dimension includes the size of the proximity switch.

* Dimension []: CHK-EX2L-20-C1 The dimension includes the size of the proximity switch.



Runner Chuck E1 Series (Detachable / Attachable Claw)

Chuck claw exchange type newly added to product lineup.

▶ Attach with tapped hole or Eins connector parts (Jungle Gym ϕ 12 series).



CHK-EMBF-12

Runner chuck EM (detachable/attachable claw)

Order code No.	023284
Standard	CHK-EMBF-12

- Weight: 70g
- Grip: 28N
- With joint BF-5 for piping
- Sensor cannot be retrofitted.

Runner chuck EM (proximity sensor·detachable/attachable claw)

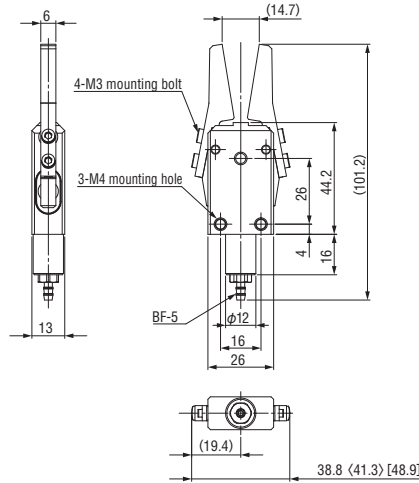
Order code No.	023286
Standard	CHK-EMBF-12-C

- Weight: 85g
- Grip: 28N
- With joint BF-5 for piping
- Sensor: direct current, three-wire system.
- Terminal process is not made.
- Harness length: 1,000mm

Runner chuck EM (limit SW·detachable/attachable claw)

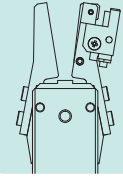
Order code No.	023288
Standard	CHK-EMBF-12-C1

- Weight: 77g
- Grip: 28N
- With joint BF-5 for piping
- Sensor: direct current, two-wire system.
- Rated current: 1mA 5VAC to 100mA 30VDC
- Terminal process is not made.
- Harness length: 300mm

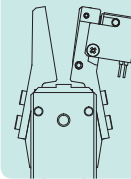


* Base drawing: CHK-EMBF-12
 * Dimension < >: CHK-EMBF-12-C The dimension includes the size of the proximity switch.
 * Dimension []: CHK-EMBF-12-C1 The dimension includes the size of the proximity switch.

With proximity sensor



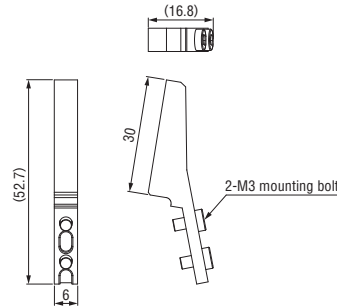
With limit SW



Runner chuck EM (attachment/detachment claw)

Order code No.	023285
Standard	CHK-EMF-12

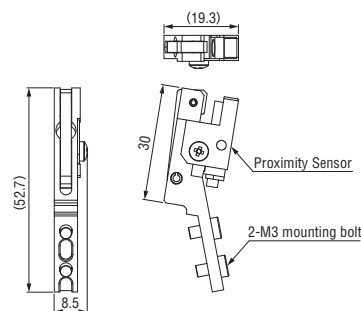
- Weight: 12g
- Sensor cannot be retrofitted.



Runner chuck EM (proximity sensor·attachment/detachment claw)

Order code No.	023287
Standard	CHK-EMF-12-C

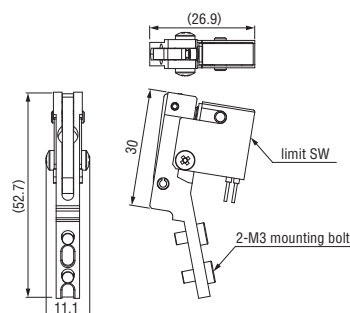
- Weight: 27g
- Sensor: direct current, three-wire system.
- Terminal process is not made.
- Harness length: 1,000mm
- Sensor Ass'y → See (2-31)



Runner chuck EM (limit SW·attachment/detachment claw)

Order code No.	023289
Standard	CHK-EMF-12-C1

- Weight: 20g
- Sensor: direct current, two-wire system.
- Rated current: 1mA 5VAC to 100mA 30VDC
- Terminal process is not made.
- Harness length: 300mm
- Sensor Ass'y → See (2-31)



Quick Chuck Change

Quick Chuck Change (Manual)
Tool Changer
Automated Chuck Exchange System

Grip

Mini Cylinder
Accessories for Mini Cylinder
Container Cylinders
Accessories for Container Cylinder

Grippers

Buffer Material

Suction

Suction Cups

Suction Stem

Pad in Pad

Air Ejector/Filter/Check Valve

Micro Mold E.O.A.T

Cut

Mini Air Nippers

Air Nippers

Air Nippers

Frame/Module

Jungle Gym

Let's Joint

Rectangular Tube

Base Aluminum Material

Sliding Chuck

Tubing/Sensors

Tubing

Sensors

Sensors

Other Products

Others

Information

Information

Runner Chuck E1 Series (Detachable / Attachable Claw)

▶ Attach with tapped hole or Eins connector parts (Jungle Gym ϕ 20 series).

NEW



CHK-EXBF-20

Runner chuck EX (detachable/attachable claw)

Order code No.	023290
Standard	CHK-EXBF-20

- Weight: 272g
- Grip: 80N
- With joint BF-5 for piping
- Sensor cannot be retrofitted.

Runner chuck EX (proximity sensor·detachable/attachable claw)

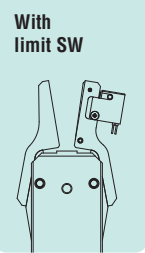
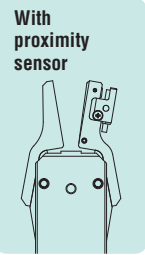
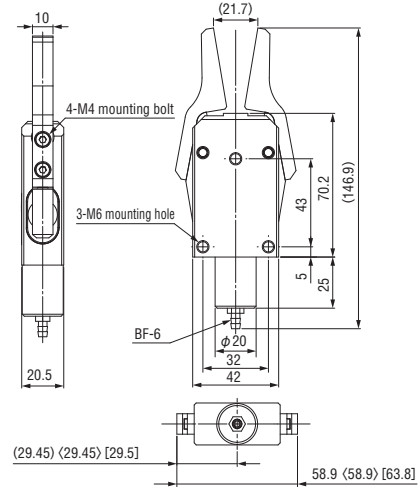
Order code No.	023292
Standard	CHK-EXBF-20-C

- Weight: 287g
- Grip: 80N
- With joint BF-5 for piping
- Sensor: direct current, three-wire system.
- Terminal process is not made.
- Harness length: 1,000mm

Runner chuck EX (limit SW·detachable/attachable claw)

Order code No.	023294
Standard	CHK-EXBF-20-C1

- Weight: 278g
- Grip: 80N
- With joint BF-5 for piping
- Sensor: direct current, two-wire system.
- Rated current: 1mA 5VAC to 100mA 30VDC
- Terminal process is not made.
- Harness length: 300mm



* Base drawing: CHK-EMBF-20
 * Dimension < >: CHK-EMBF-20-C The dimension includes the size of the proximity switch.
 * Dimension []: CHK-EMBF-20-C1 The dimension includes the size of the proximity switch.

▶ Claw Ass'y with attachable and detachable claw.

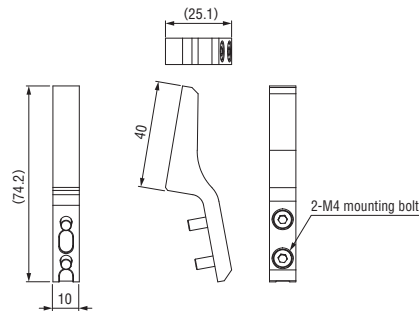
NEW



Runner chuck EX (attachment/detachment claw)

Order code No.	023291
Standard	CHK-EXF-20

- Weight: 40g
- Sensor cannot be retrofitted.



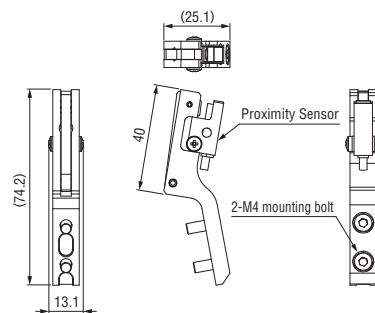
NEW



Runner chuck EX (proximity sensor·attachment/detachment claw)

Order code No.	023293
Standard	CHK-EXF-20-C

- Weight: 54g
- Sensor: direct current, three-wire system.
- Terminal process is not made.
- Harness length: 1,000mm
- Sensor Ass'y → See (2-31)



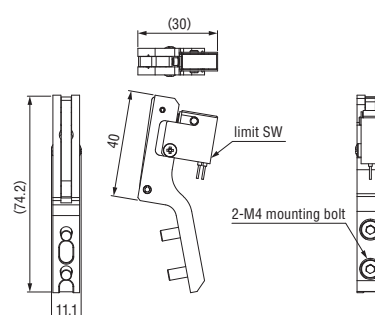
NEW



Runner chuck EX (limit SW·attachment/detachment claw)

Order code No.	023295
Standard	CHK-EXF-20-C1

- Weight: 40g
- Sensor: direct current, two-wire system.
- Rated current: 1mA 5VAC to 100mA 30VDC
- Terminal process is not made.
- Harness length: 300mm
- Sensor Ass'y → See (2-31)

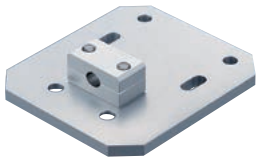




Runner Module / Runner Chuck Plate

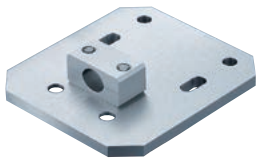
Runner chuck unit directly detachable to the robot arm.

▶ Module unit with runner chuck.



Runner module w/o chuck

Order code No.	171227
Standard	RM-08
<ul style="list-style-type: none"> ● Runner chuck mounting bracket: Slide bracket Wφ8 ● Weight: 111g 	
Applicable chuck	CHK-ES/ES1



Runner module w/o chuck

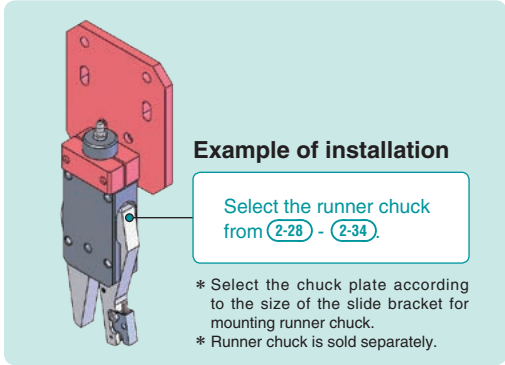
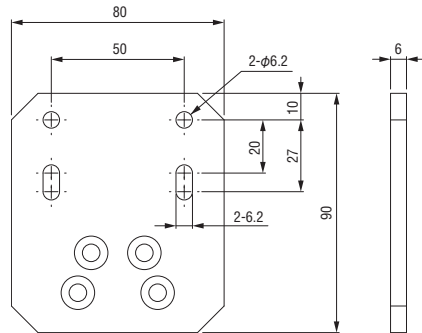
Order code No.	171228
Standard	RM-12
<ul style="list-style-type: none"> ● Runner chuck mounting bracket: Slide bracket Wφ12 ● Weight: 116g 	
Applicable chuck	CHK-EM/EM1/EL/EL1/EL2L/EMBF



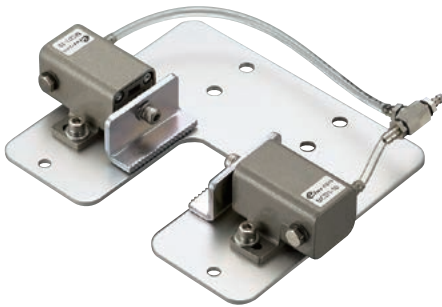
Runner module w/o chuck

Order code No.	171229
Standard	RM-20
<ul style="list-style-type: none"> ● Runner chuck mounting bracket: Slide bracket Wφ20 ● Weight: 131g 	
Applicable chuck	CHK-EX/EX1/EX2L/EXBF

Three-point common plate

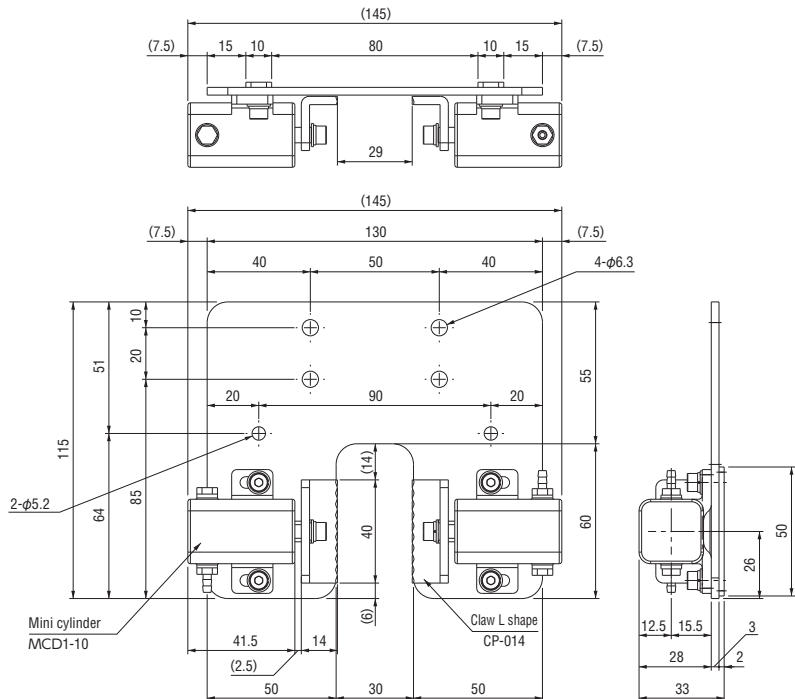


▶ Runner chuck which grips runners with mini cylinders.



Runner chuck plate

Order code No.	022892
Standard	CHK-MCD01
● Weight: 396g	



Quick Chuck Change

Quick Chuck Change (Manual)
Tool Changer
Automated Chuck Exchange System

Grip

Mini Cylinder
Accessories for Mini Cylinder
Container Cylinders
Accessories for Container Cylinder

Grippers

Buffer Material

Suction

Suction Cups
Suction Stem
Pad in Pad
Air Ejector/Filter/Check Valve

Micro Mold E.O.A.T

Cut

Mini Air Nippers
Air Nippers

Frame/Module

Jungle Gym
Let's Joint
Rectangular Tube
Base Aluminum Material
Sliding Chuck

Tubing/Sensors

Tubing
Sensors

Other Products

Others
Information



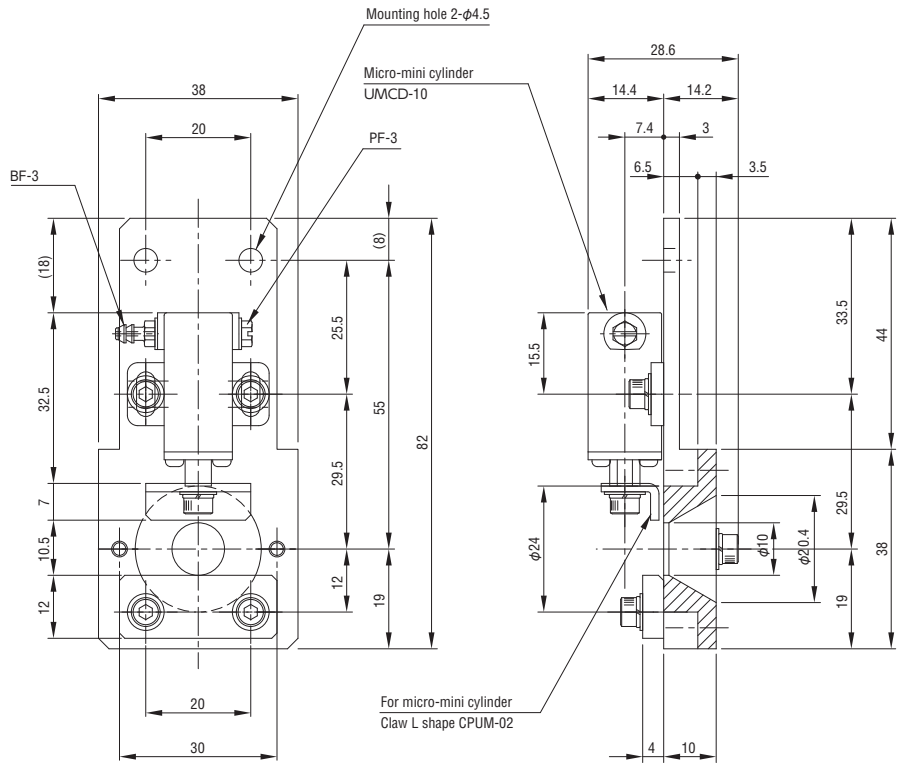
Tunnel Gate Runner Chuck

Jumping tunnel gate is caught with tapered section.



Order code No.	090140
Standard	J25411-100

● Weight: 76g

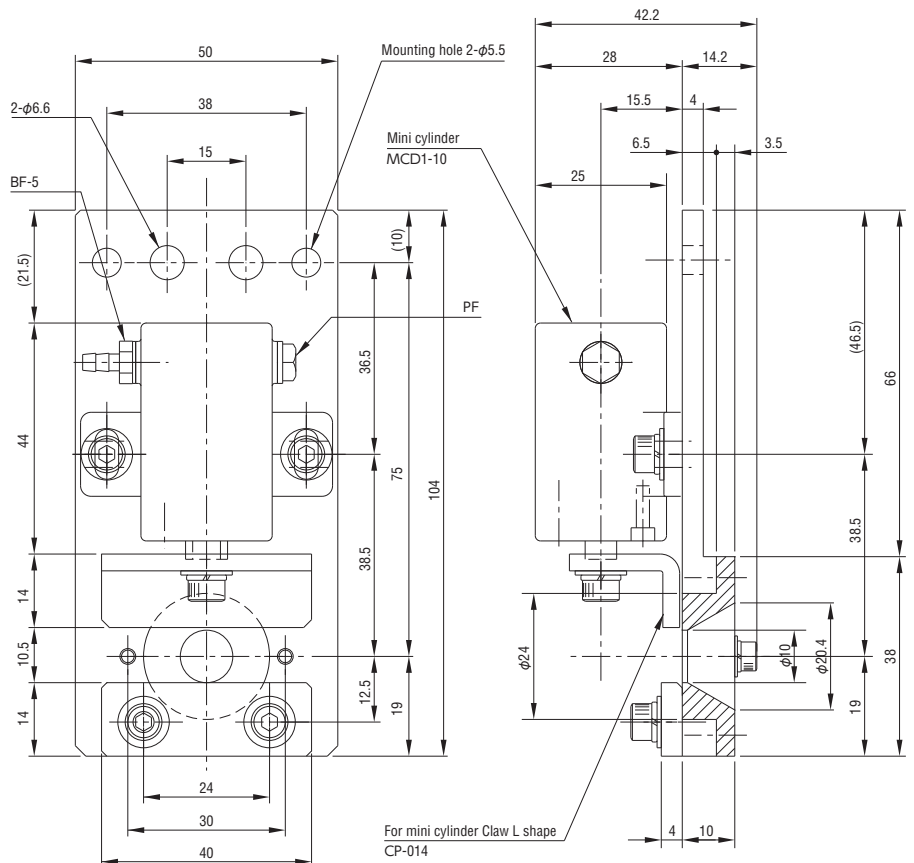


Grip ● Grippers



Order code No.	090141
Standard	J25411-000

● Weight: 185g





Pipe Combination Chuck

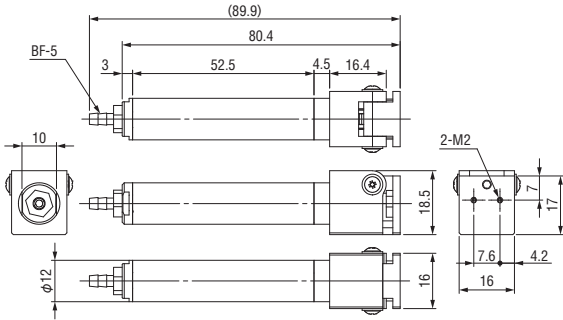
Special cylinder of hinge structure which operates 90 degrees. Connection to jungle gym is possible.

► High-strength specification of link section

Pipe combination chuck E • $\phi 12 \cdot 90 \text{ deg}$

Order code No.	090204
Standard	J25410-40A

● Weight: 29g ● With joint BF-5 for piping

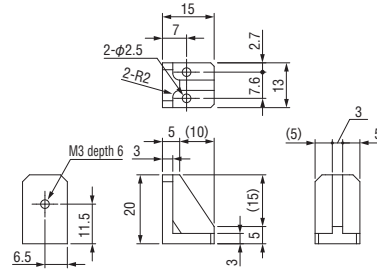


► Option

90 degree flat A

Order code No.	131218
Standard	N01871-101

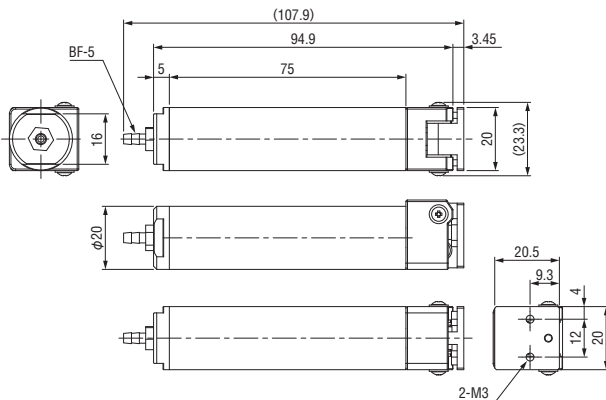
● Weight: 4.4g



Pipe combination chuck D • $\phi 20 \cdot 90 \text{ deg}$

Order code No.	090203
Standard	J25410-30A

● Weight: 78g ● With joint BF-5 for piping

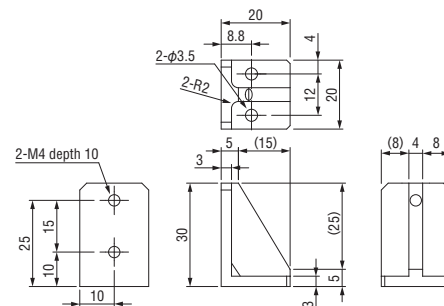


► Option

90 degree flat B

Order code No.	131479
Standard	N01871-102

● Weight: 10.4g



Quick Chuck Change

Quick Chuck Change (Manual)

Tool Changer

Automated Chuck Exchange System

Grip

Mini Cylinder

Accessories for Mini Cylinder

Container Cylinders

Accessories for Container Cylinder

Grippers

Buffer Material

Suction

Suction Cups

Suction Stem

Pad in Pad

Air Ejector/Filter/Check Valve

Micro Mold E.O.A.T

Cut

Mini Air Nippers

Air Nippers

Frame/Module

Jungle Gym

Let's Joint

Rectangular Tube

Base Aluminum Material

Sliding Chuck

Tubing/Sensors

Tubing

Sensors

Other Products

Others

Information



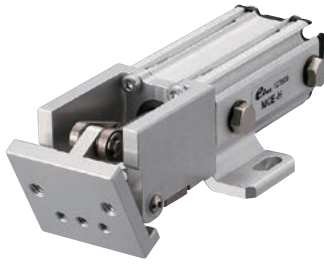
Hinge Cylinder

Special cylinder of hinge structure which operates 90 degrees.

Hinge cylinder



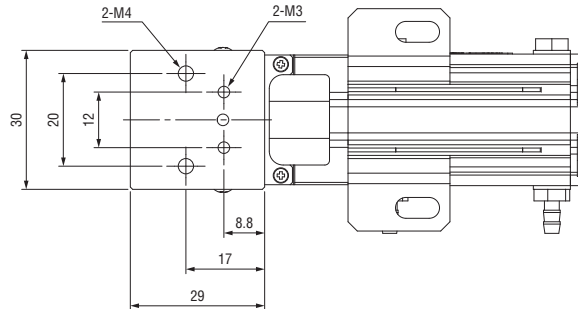
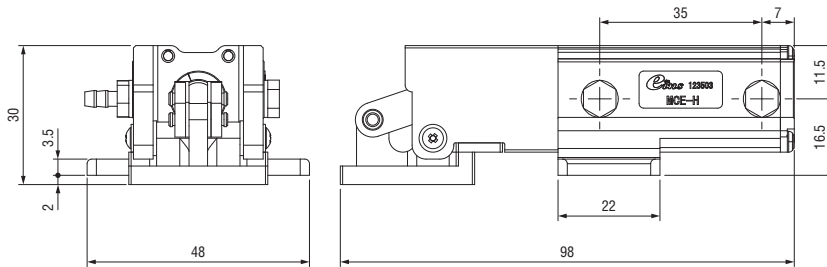
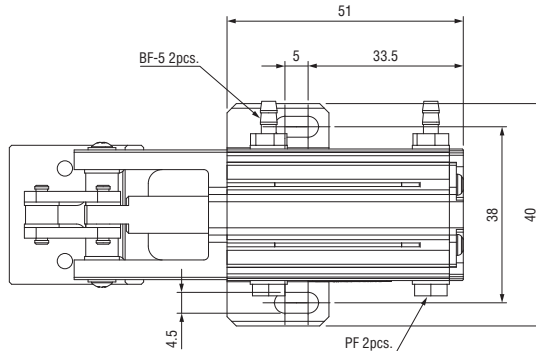
You can watch our product video by using a mobile device such as a smartphone.



▶ Double action type

Order code No.	123503
Standard	MCE-H

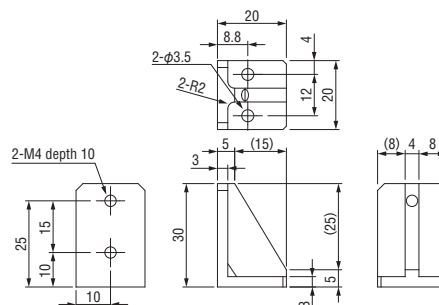
- Weight: 121g
- With joint BF-5 for piping



▶ Option
90 degree flat B

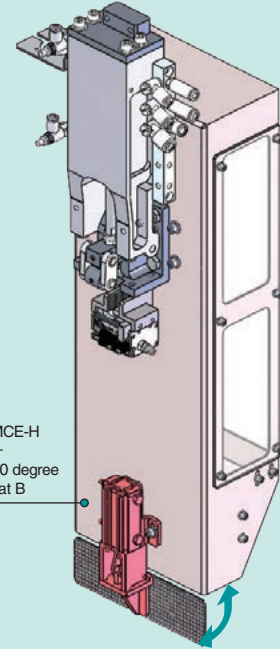
Order code No.	131479
Standard	N01871-102

- Weight: 10.4g



Example of use

[Used to open/close the bottom plate of BOX chuck.]



Auto switch (red SW)

Order code No.	030282
Standard	D-A93

- Weight: 6g
- Applicable load: relay, PLC
- Load voltage: 24VDC
- Load current range: 5mA ~ 40mA
- Lead wire: 0.5m brown (+) blue (-)
- Indicator light



Auto switch (contactless)

Order code No.	030425
Standard	D-M9N

- Weight 8g
- Applicable load: relay, PLC
- Load voltage: 24VDC
- Load current range: ~ 40mA or lower
- Lead wire: 0.5M+V (brown), Load (black), 0V(blue)
- Indicator light



Magnet Chucks

Neodymium magnet is embedded in the chuck parts.

- ▶ Powerful holding force with the magnet.
- ▶ Lightweight with compact design
- ▶ Jungle gym with $\phi 20$ series
- ▶ The most suitable for magnetic conveyance.



Magnet chuck

Order code No.	123218
Standard	MGC-20

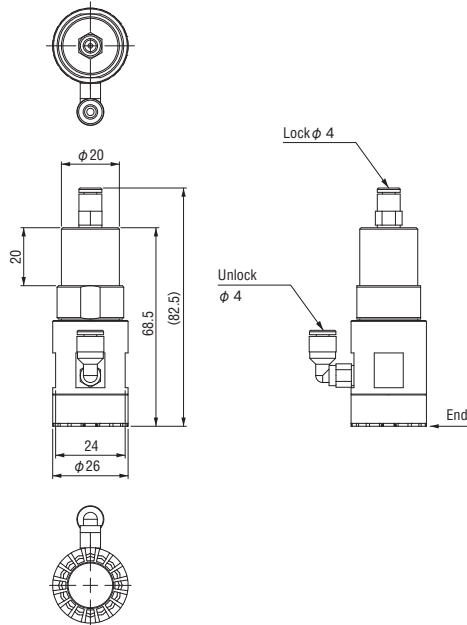
- Double-act-type cylinder
- Weight: 95g



Magnet chuck end rubber

Order code No.	123571
Standard	MGC-C

- Weight: 3g

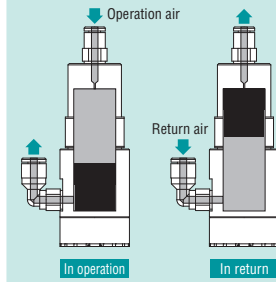


Magnet chucks



You can watch our product video by using a mobile device such as a smartphone.

Operation image



Specification

Standard	MGC-20
Mechanism	Double Action Type
Air pressure	0.39 ~ 0.49Mpa
Holding force	25N
Residual magnet*	0.01N Max.

* Indicates the residual magnet at the top in return operation.

- ▶ Strong holding of uneven / perforated steel plate with permanent magnet!
Product with sensor to detect magnet position is also available.

Holding force		100N	180N	290N
Magnet chuck				
Drawing				
W/o sensor	Order code No.	185352	185353	185354
	Standard	SSGM 40G 1/4-IG	SSGM 50G 1/4-IG	SSGM 70G 1/4-IG
	Weight	240g	440g	715g
W/ NPN output sensor	Order code No.	185358	185359	185360
	Standard	SSGM-S-40-G1/4-IG-NPN	SSGM-S-50-G1/4-IG-NPN	SSGM-S-70-G1/4-IG-NPN
	Weight	260g	460g	735g
W/ PNP output sensor	Order code No.	185355	185356	185357
	Standard	SSGM-S-40-G1/4-IG-PNP	SSGM-S-50-G1/4-IG-PNP	SSGM-S-70-G1/4-IG-PNP
	Weight	260g	460g	735g

Quick Chuck Change

Quick Chuck Change (Manual)

Tool Changer

Automated Chuck Exchange System

Grip

Mini Cylinder

Accessories for Mini Cylinder

Container Cylinders

Accessories for Container Cylinder

Grippers

Buffer Material

Suction

Suction Cups

Suction Stem

Pad in Pad

Air Ejector/Filter/Check Valve

Micro Mold E.O.A.T

Cut

Mini Air Nippers

Air Nippers

Frame/Module

Jungle Gym

Let's Joint

Rectangular Tube

Base Aluminum Material

Sliding Chuck

Tubing/Sensors

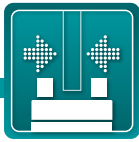
Tubing

Sensors

Other Products

Others

Information



Parallel Chucks (Single / Double)

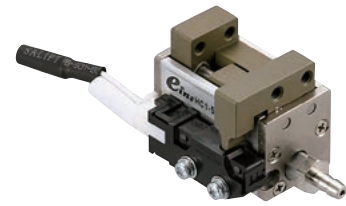
Compact design with low profile and small space.



Parallel chuck • single • 5ST

Order code No.	072172
Standard	HC-5S

- Stroke: 5mm ● Weight: 32g
- With joint BF-5-M3 for piping
- Auto switch for action/return end can be mounted (middle check is impossible).



* Rated current: 100mA 30VDC

Parallel chuck • single • 5ST

Order code No.	072702
Standard	HC1-5S-C1

- Stroke: 5mm ● Weight: 50g
- With joint BF-5-M3 for piping
- Harness length: 500mm

Parallel chuck • single • 10ST

Order code No.	072171
Standard	HC-10S

- Stroke: 10mm ● Weight: 70g
- With joint BF-5 for piping
- Auto switch for action/return end can be mounted (middle check is impossible).

Parallel chuck • double • 10ST

Order code No.	072170
Standard	HC-10

- Stroke: 10mm ● Weight: 70g
- With joint BF-5×2 for piping
- Auto switch for action/return end can be mounted (middle check is impossible).

Parallel chuck • single • 10ST

Order code No.	072703
Standard	HC1-10S-C1

- Stroke: 10mm ● Weight: 95g
- With joint BF-5 for piping
- Harness length: 500mm

Parallel chuck • double • 10ST

Order code No.	072705
Standard	HC1-10-C1

- Stroke: 10mm ● Weight: 95g
- With joint BF-5×2 for piping
- Harness length: 500mm

Parallel chuck • single • 20ST

Order code No.	072704
Standard	HC1-20S-C1

- Stroke: 20mm ● Weight: 305g
- With joint BF-5 for piping
- Harness length: 500mm

Parallel chuck • double • 20ST

Order code No.	072706
Standard	HC1-20-C1

- Stroke: 20mm ● Weight: 300g
- With joint BF-5×2 for piping
- Harness length: 500mm



Auto switch (reed SW)

Order code No.	030282
Standard	D-A93

- Weight: 6g ● Applicable load: relay, PLC
- Load voltage: 24VDC
- Load current range: 5mA ~ 40mA
- Wiring: 0.5M OUT (+) brown OUT (-) blue
- Indicator light
- Terminal process is not made.



Auto switch (contactless)

Order code No.	030425
Standard	D-M9N

- Weight: 8g ● Applicable load: relay, PLC
- Load voltage: 24VDC
- Load current range: ~ 40mA or lower
- Lead wire: 0.5M+V (brown), Load (black), OV(blue)
- Indicator light



Limit switch Ass'y

Order code No.	072708
Standard	HC1-SW1

- Weight: 10g ● For HC1-5S/10(S)
- Mounting bolt and nut attached
- Rated current: 100mA 30VDC
- Terminal process is not made.
- Harness length: 500mm

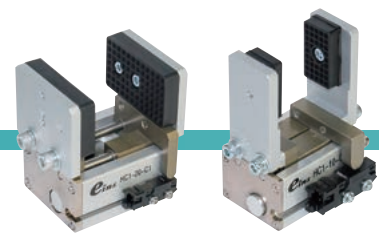
Limit switch Ass'y

Order code No.	072709
Standard	HC1-SW2

- Weight: 10g ● For HC1-20(S)
- Mounting bolt and nut attached
- Rated current: 100mA 30VDC
- Terminal process is not made.
- Harness length: 500mm

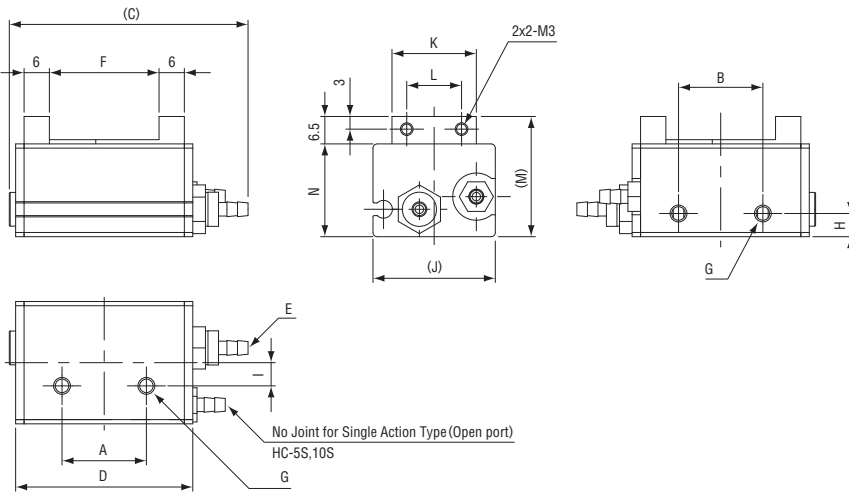
HC/HC1 series specification

Standard	Mechanism	Used air pressure (MPa)	Ambient temperature (°C)	Motion stroke (mm)	Cylinder diameter (mm)	Grip power (0.4Mpa)	
						Close (N)	Open (N)
HC-5S	Single action type	0.3 ~ 0.6	5 ~ 60	5	φ 7	6	—
HC-10S				10	φ 10	14	—
HC-10				15	15	—	
HC1-5S-C1	Single action type	0.4 ~ 0.6		5	φ 7	5	—
HC1-10S-C1				10	φ 10	14	—
HC1-10-C1				15	15	—	
HC1-20S-C1	Single action type	0.4 ~ 0.6	17	—	—	—	
HC1-20-C1	Double action type		28	28	—	—	



Example of combination

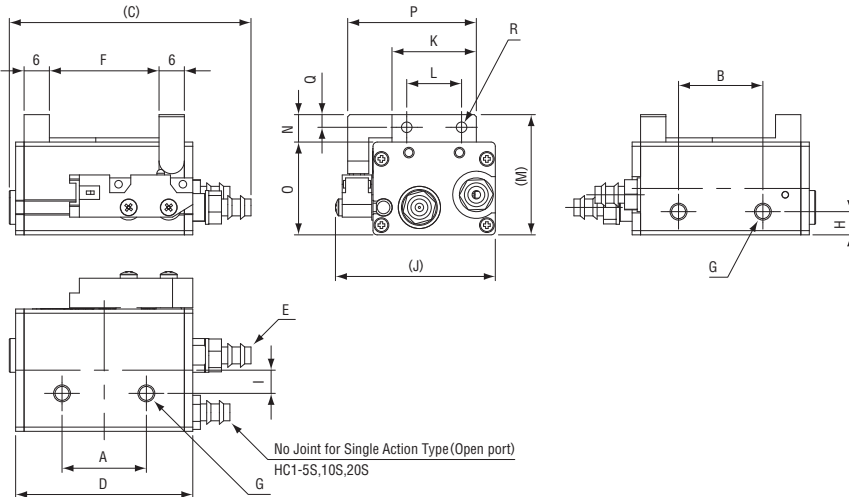
► Outside dimension of HC series



■ Dimensions (mm)

Standard	HC-5S	HC-10S	HC-10
A	17		20
B	10		20
C	45		56.6
D	32		42
E	BF-5-M3		BF-5
F	max16/min11		max26/min16
G	2-M3 depth 4		2-M4 depth 8
H	5		5.5
I	6		5.5
J	18		29
K	13		20
L	8		13
M	25.5		28.5
N	19		22

► Outside dimension of HC1 series



■ Dimensions (mm)

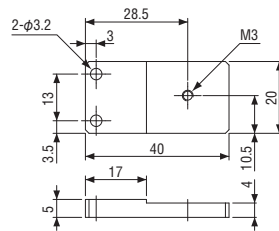
Standard	HC1-5S-C1	HC1-10(S)-C1	HC1-20(S)-C1
A	17	20	32
B	10	20	32
C	45	57	73
D	32	42	60
E	BF-5-M3		BF-5
F	max16/min11	max26/min16	max40/min20
G	2-M3 depth 4	2-M4 depth8	2-M5 depth10
H	5	5.5	8
I	6	5.5	6
J	28	38	58
K	13	20	32
L	8	13	20
M	25.5	28.5	44
N	6.5	6.5	12.5
O	19	22	31.5
P	21.5	30.5	46
Q		3	5
R		2x2-M3	2x2-M5



Claw • for parallel chuck

Order code No.	023215
Standard	CP-HC10N

- Weight: 9g ● For HC,HC1-10, 10S
- Installation of CPUM-01 → (2-10) to product positioning side is possible.



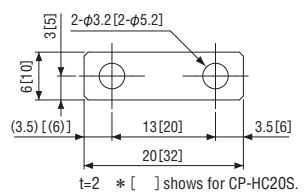
Spacer • for parallel chuck

Order code No.	023217
Standard	CP-HC10S

- Weight: 1g ● For HC,HC1-10, 10S

Order code No.	023218
Standard	CP-HC20S

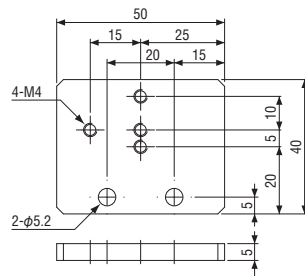
- Weight: 2g ● For HC1-20, 20S



Claw • for parallel chuck

Order code No.	023216
Standard	CP-HC20N

- Weight: 26g ● For HC1-20, 20S
- Installation of CP-060, 061 → (2-10) to product positioning side is possible.



Quick Chuck Change

Quick Chuck Change (Manual)

Tool Changer

Automated Chuck Exchange System

Grip

Mini Cylinder

Accessories for Mini Cylinder

Container Cylinders

Accessories for Container Cylinder

Grippers

Buffer Material

Suction

Suction Cups

Suction Stem

Pad in Pad

Air Ejector / Filter / Check Valve

Micro Mold E.O.A.T

Cut

Mini Air Nippers

Air Nippers

Frame/Module

Jungle Gym

Let's Joint

Rectangular Tube

Base Aluminum Material

Sliding Chuck

Tubing/Sensors

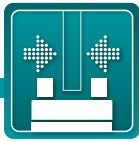
Tubing

Sensors

Other Products

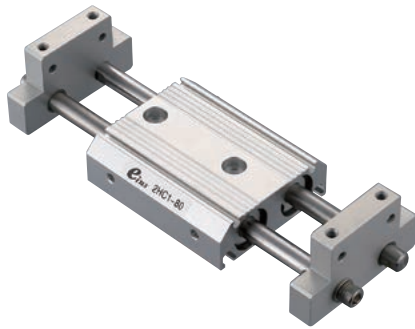
Others

Information



Parallel Chucks (Double)

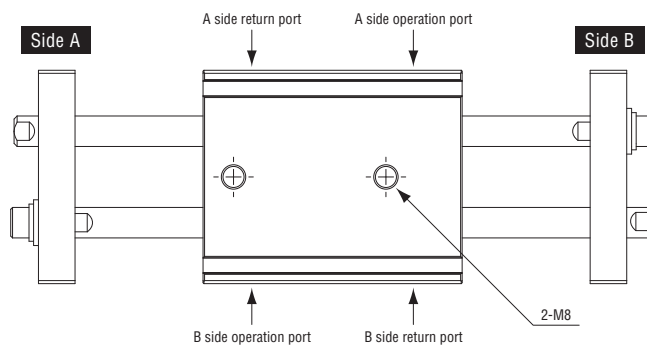
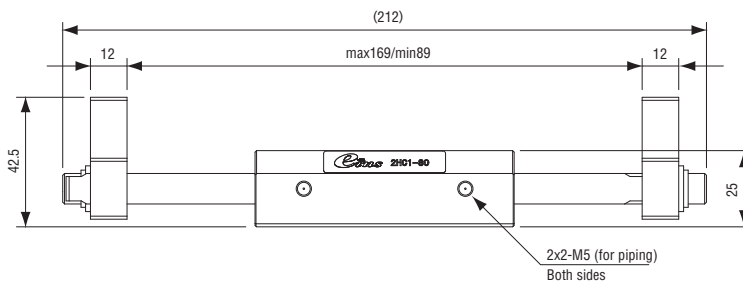
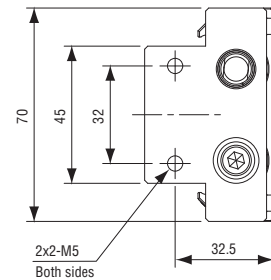
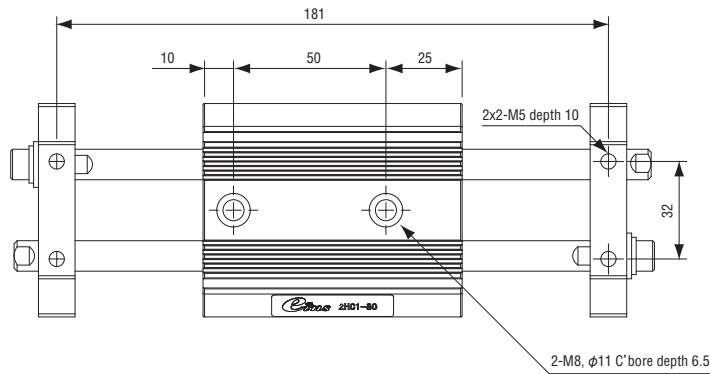
Single open/close of the claws of both sides is possible with the built-in two cylinders.



Parallel chuck • double act • 40ST * 2

Order code No.	282205
Standard	2HC1-80

- Stroke: 40mm×2
- Weight: 650g
- Installation of auto switch for act / return limit is possible.
- Pipe joint is sold separately. → **6-5.6**



Auto switch (reed SW)

Order code No.	030282
Standard	D-A93

- Weight: 6g
- Applicable load: relay, PLC
- Load voltage: 24VDC
- Load current range: 5mA ~ 40mA
- Lead wire: 0.5m brown (+) blue (-)
- Indicator light



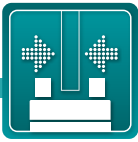
Auto switch (contactless)

Order code No.	030425
Standard	D-M9N

- Weight: 8g
- Applicable load: relay, PLC
- Load voltage: 24VDC
- Load current range: ~ 40mA or lower
- Lead wire: 0.5M+V (brown), Load (black), 0V(blue)
- Indicator light

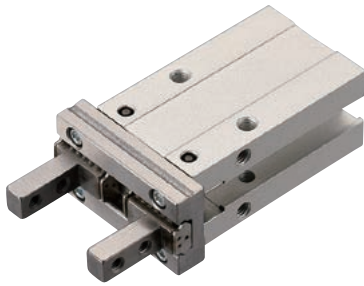
Specification

Product name	Standard	Mechanism	Air Pressure (MPa)	Ambient temperature (°C)	Motion stroke (mm)	Cylinder diameter (mm)	Grip power (0.4Mpa)	
							Close (N)	Open (N)
Parallel chuck	2HC1-80	Double action type	0.4 ~ 0.6	5 ~ 60	40 × 2	φ20 × 2	100	100



Parallel Chucks (Single)

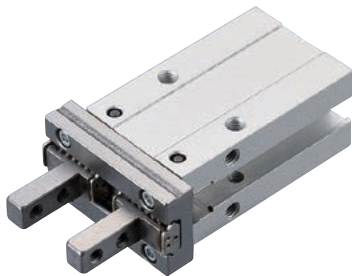
High precision with linear guide!



Standard type (single) Parallel chuck

Order code No.	123401
Standard	MHZ2-10S

- Stroke: 4mm
- Weight: 55g
- Auto switch can be attached as optional*
- Pipe joint is sold separately. → **6-5,6**



Narrow type (single) Parallel chuck

Order code No.	122451
Standard	MHZ2-10SN

- Stroke: 4mm
- Weight: 55g
- Auto switch can be attached as optional*
- Pipe joint is sold separately. → **6-5,6**



Auto switch (contactless)

Order code No.	030425
Standard	D-M9N

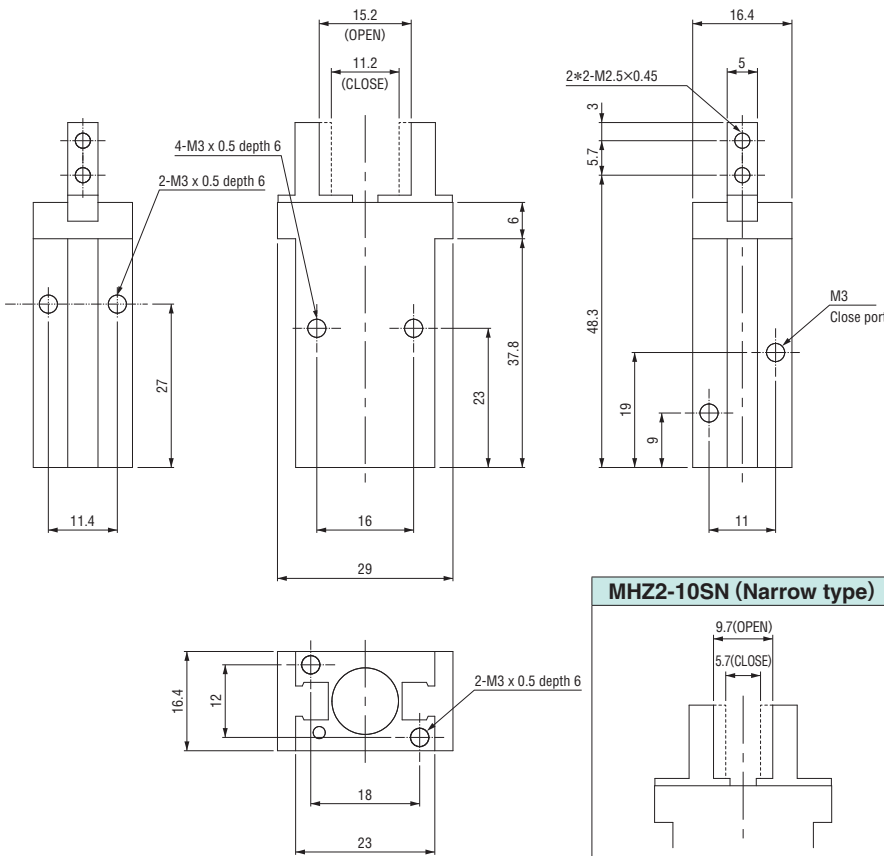
- Weight: 8g
- Applicable load: relay, PLC
- Load voltage: 24VDC
- Load current range: ~40mA or lower
- Lead wire: 0.5M+V (brown), Load (black), OV(blue)
- Indicator light
- Special metal bracket (BMG2-012) is required to attach auto switch.



Auto switch mounting bracket

Order code No.	010634
Standard	BMG2-012

- Weight: 2g



Specification

Product name	Standard	Air Pressure (MPa)	Ambient temperature (°C)	Motion stroke (mm)	Cylinder diameter (mm)	Gripping force (0.5MPa) (N)	Accuracy of movement (mm)
Parallel chuck	MHZ2-10S MHZ2-10SN	0.35 ~ 0.7	-10 ~ 60	4	φ 10	11	± 0.01

* Special metal bracket (BMG2-012) is required to attach auto switch (D-M9N). * Unable to use the auto switch (D-A93).

Quick Chuck Change

Quick Chuck Change (Manual)

Tool Changer

Automated Chuck Exchange System

Grip

Mini Cylinder

Accessories for Mini Cylinder

Container Cylinders

Accessories for Container Cylinder

Grippers

Buffer Material

Suction

Suction Cups

Suction Stem

Pad in Pad

Air Ejector/Filter/Check Valve

Micro Mold E.O.A.T

Cut

Mini Air Nippers

Air Nippers

Frame/Module

Jungle Gym

Let's Joint

Rectangular Tube

Base Aluminum Material

Sliding Chuck

Tubing/Sensors

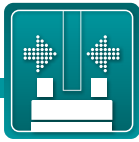
Tubing

Sensors

Other Products

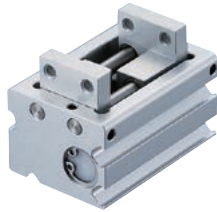
Others

Information



Parallel Hands (Double)

Durable bush guide embedded.



▶ Double action type
Parallel hand • double • 15ST

Order code No.	071996
Standard	HLA-12AS

- Stroke: 15mm ● Weight: 152g
- Auto switch can be attached as optional*
- Pipe joint is sold separately. → [6-5,6](#)

▶ Double action type
Parallel hand • double • 20ST

Order code No.	070986
Standard	HLA-15AS

- Stroke: 20mm ● Weight: 276g
- Auto switch can be attached as optional*
- Pipe joint is sold separately. → [6-5,6](#)

▶ Double action type
Parallel hand • double • 25ST

Order code No.	071997
Standard	HLA-20AS

- Stroke: 25mm ● Weight: 504g
- Auto switch can be attached as optional*
- Pipe joint is sold separately. → [6-5,6](#)



▶ Double action type
Parallel hand • 15ST • double • w/ rubber cover

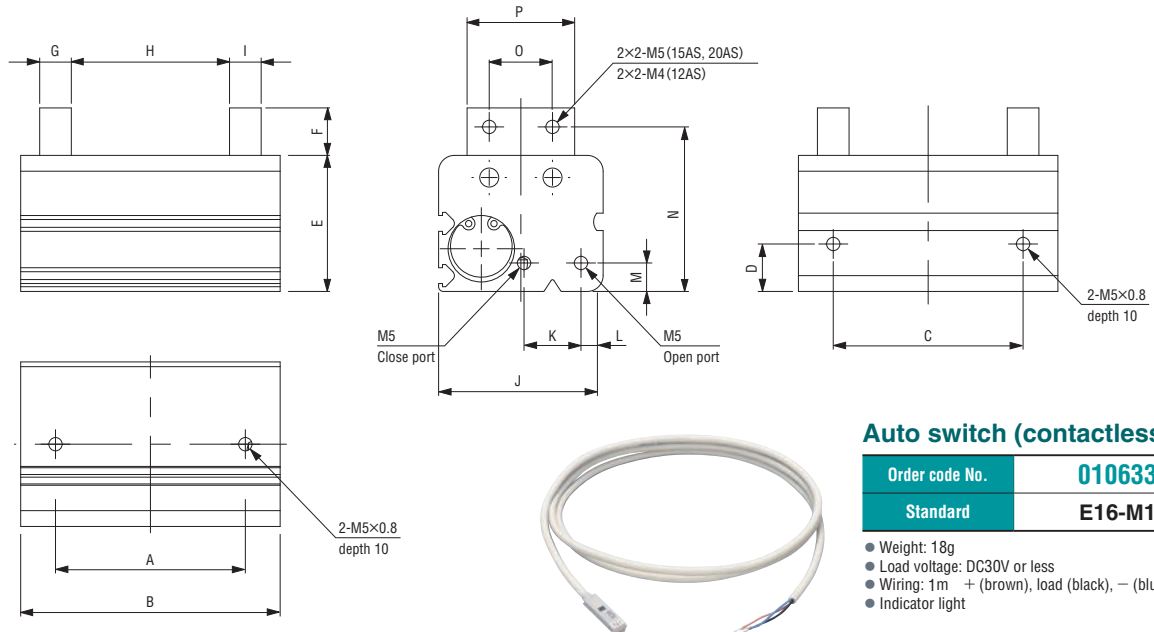
Order code No.	071999
Standard	HLAG-12AS

- Stroke: 15mm ● Weight: 157g
- Auto switch can be attached as optional*
- Pipe joint is sold separately. → [6-5,6](#)

▶ Double action type
Parallel hand • 20ST • double • w/ rubber cover

Order code No.	072000
Standard	HLAG-15AS

- Stroke: 20mm ● Weight: 281g
- Auto switch can be attached as optional*
- Pipe joint is sold separately. → [6-5,6](#)



Auto switch (contactless)

Order code No.	010633
Standard	E16-M1

- Weight: 18g
- Load voltage: DC30V or less
- Wiring: 1m + (brown), load (black), - (blue)
- Indicator light

Dimensions

(mm)

Standard	A	B	C	D	E	F	G	H	I	J	K	L	M	N	O	P
HLA-12AS	30	54	30	12	29	10	6	max30/min15	6	37	13.5	4	8	35	14	22-0.1
HLA-15AS	40	70	40	13.5	34	12	10	max40/min20	10	43	14	5.5	9	41	18	30-0.1
HLA-20AS	60	82	60	15	43	15	10	max50/min25	10	52	18	7	9	52	20	34-0.1
HLAG-12AS	30	61	—	—	40	10	8	max30/min15	8	46.8	13.5	4	8	46	10	17-0.1
HLAG-15AS	40	81.1	—	—	46.5	12	10	max40/min20	10	57	14	5.5	9	53.5	14	24-0.1

Product name	Standard	Air Pressure (MPa)	Ambient temperature (°C)	Motion stroke (mm)	Cylinder diameter (mm)	Inner capacity (round trip)	Accuracy of movement (mm)	Lubrication
Parallel hand	HLA,HLAG-12AS	0.3 ~ 0.7	5 ~ 60	15	φ 12	1.69cc/times	± 0.03	No lubrication or turbine oil class 1 [ISOVG32]
	HLA,HLAG-15AS			20	φ 15	3.53cc/times		
	HLA			25	φ 20	7.85cc/times		



Needle Gripper

Embedded needle allows holding fiber workpiece with high air permeability.



Needle gripper (diameter 0.8mm)

Order code No.	186255
Standard	SNG-M-4-0.8

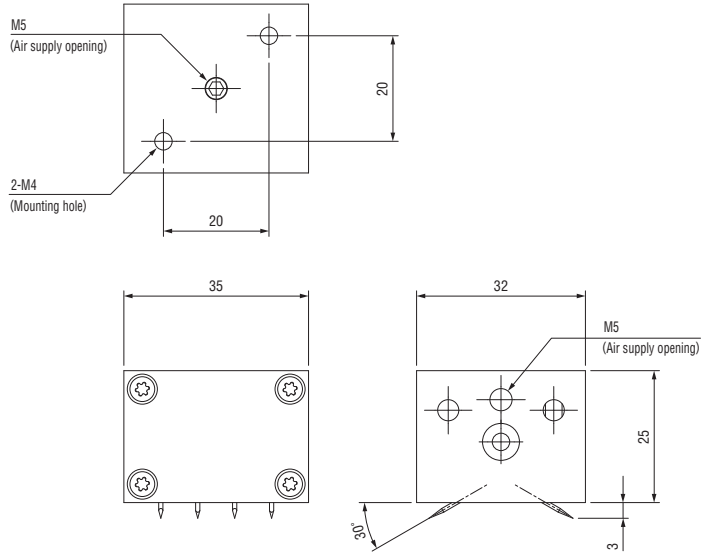
- Weight: 80g
- Air single action type
- Needle will be output with action.



Needle piston set for exchange (4pcs)

Order code No.	041925
Standard	ERS-SET-SNG-M-0.8

- Weight: 12g
- 4pcs
- For SNG-M-4-0.8



Needle gripper (diameter 0.8mm)

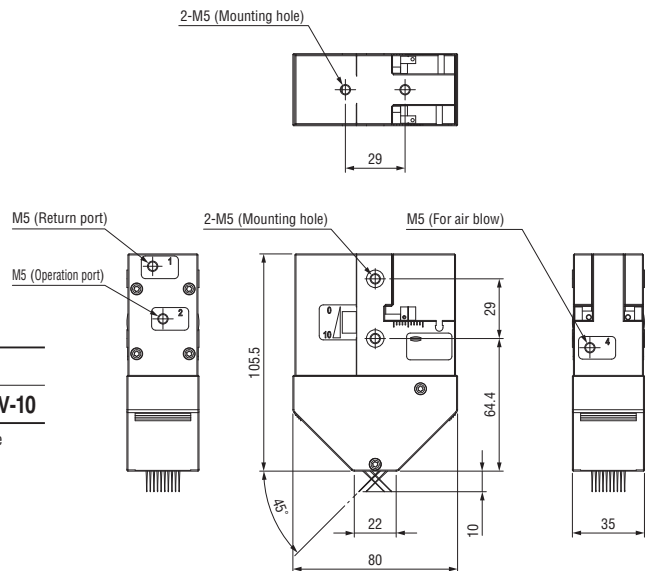
Order code No.	186256
Standard	SNG-AP-10-0.8-V-10

- Weight: 225g
- Air double action type
- Needle will be output with action.

Needle gripper (diameter 1.2mm)

Order code No.	186257
Standard	SNG-AP-10-1.2-V-10

- Weight: 225g
- Air double action type
- Needle will be output with action.



Needle holder set for exchange (2pcs)

Order code No.	041926
Standard	ERS-SET-SNG-AP/AE-0.8-10

- Weight: 6g
- For SNG-AP-10-0.8-V-10

Needle holder set for exchange (2pcs)

Order code No.	041927
Standard	ERS-SET-SNG-AP/AE-1.2-10

- Weight: 6g
- For SNG-AP-10-1.2-V-10

Quick Chuck Change

Quick Chuck Change (Manual)

Tool Changer

Automated Chuck Exchange System

Grip

Mini Cylinder

Accessories for Mini Cylinder

Container Cylinders

Accessories for Container Cylinder

Grippers

Buffer Material

Suction

Suction Cups

Suction Stem

Pad in Pad

Air Ejector/Filter/Check Valve

Micro Mold E.O.A.T

Cut

Mini Air Nippers

Air Nippers

Frame/Module

Jungle Gym

Let's Joint

Rectangular Tube

Base Aluminum Material

Sliding Chuck

Tubing/Sensors

Tubing

Sensors

Other Products

Others

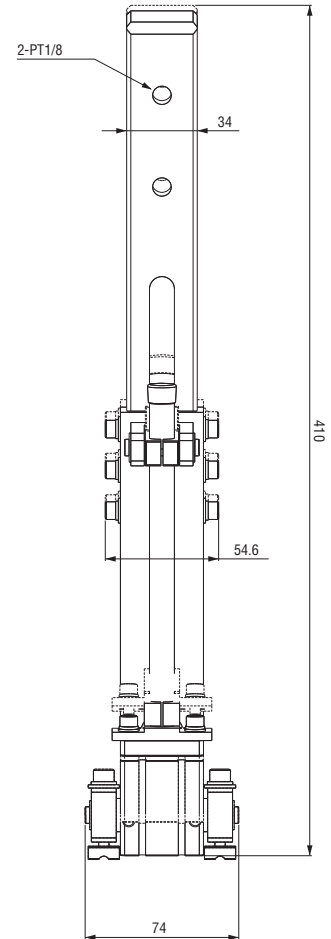
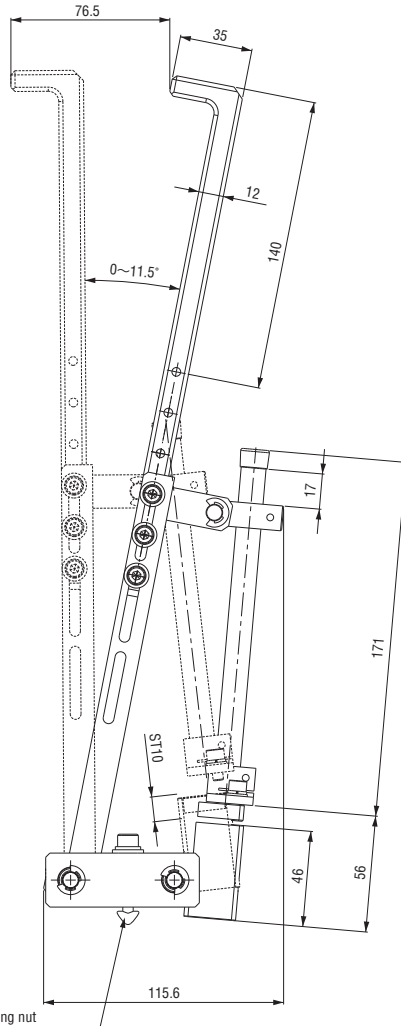
Information



Hinge Chuck Clamp Unit (Double)

Best for extracting large parts.

- ▶ Double action type hinge chuck consist with mini container cylinder.
- ▶ Best solution for large parts extraction like automobile bumper or instrument pannel, etc.

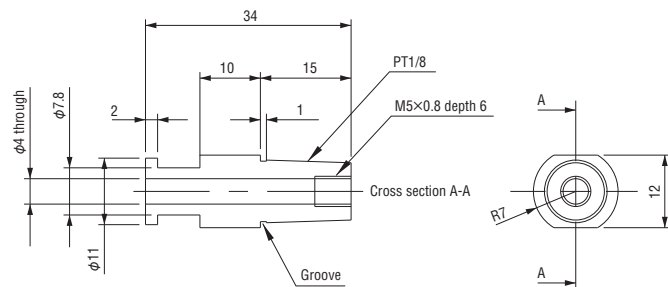


Hinge chuck • clamp unit (double)

Order code No.	110566
Standard	L11540-000

● Weight: 913g

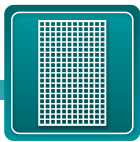
- ▶ Suction cup small series can be mounted.



Hinge chuck • suction stem

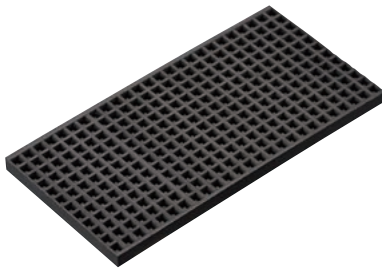
Order code No.	110567
Standard	L11540-109

● Weight: 7g



Rubber Pad / EP Sponge / Silicone Sponge

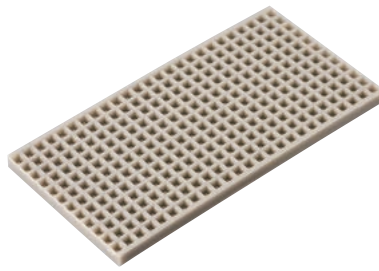
Cut sheets to prevent scratches on products.



Pad (nitrile)

Order code No.	370078
Standard	5T*50*100

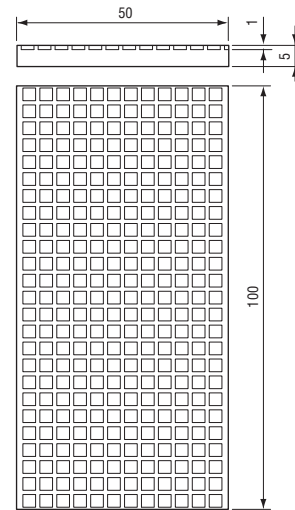
● Weight: 27.6g ● Material: nitrile rubber



Pad (silicone)

Order code No.	310536
Standard	5T*50*100

● Weight: 27.6g ● Material: silicon



Quick Chuck Change

Quick Chuck Change (Manual)

Tool Changer

Automated Chuck Exchange System

Grip

Mini Cylinder

Accessories for Mini Cylinder

Container Cylinders

Accessories for Container Cylinder

Grippers

Buffer Material

Suction

Suction Cups

Suction Stem

Pad in Pad

Air Ejector/Filter/Check Valve

Micro Mold E.O.A.T

Cut

Mini Air Nippers

Air Nippers

Frame/Module

Jungle Gym

Let's Joint

Rectangular Tube

Base Aluminum Material

Sliding Chuck

Tubing/Sensors

Tubing

Sensors

Other Products

Others

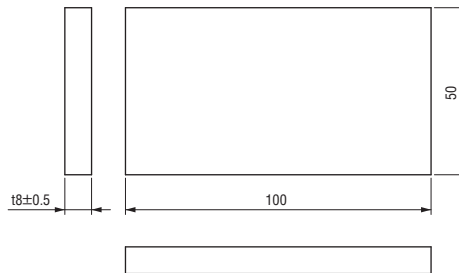
Information



EP sponge (with double-side tape)

Order code No.	340923
Standard	8*50*100-EPSP

● Weight: 5g ● Material: EPDM ● The finished dimensions may be different from those of the drawing as sponge material is used.



Cautions for pasting

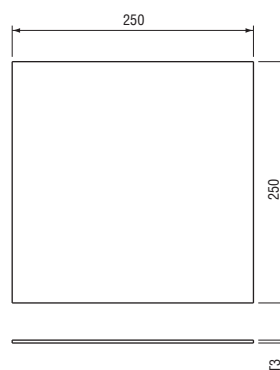
- Use the purchases within one month after you buy them. Adhesive strength is remarkably reduced after left for a long period of time.
- Wipe the surface clean with ethanol before you stick it on the cup. Do not touch the surface with your hands.
- Push the adhesive surface with sufficient adhesion to the surface for about 24 hours.
- Use silicon adhesive if the adhesive strength is low.
- Adhesive strength of double-stick tapes is the highest in vertical direction.



Silicone sponge

Order code No.	293463
Standard	3T*250*250

● Weight: 102g ● Material: silicon sponge



Adhesive • cemedine • 20ML

Order code No.	371765
Standard	AX-038

● NET : 20ml



Adhesive • cemedine • 135ML

Order code No.	371677
Standard	AX-139

● NET : 135ml
● Please buy the product if safety data sheet (SDS) is required.

Standard	Standard	Heat resistance*	Hardness	Color
Nitrile rubber	5T*50*100	-10 to +100	shore A70 ± 10	Black
Silicone	5T*50*100	-60 to +250	shore A70 ± 10	White
Silicone sponge	3T*250*250	-60 to +200	Aska C23	Orange
EPDM	8*50*100-EPSP	-30 to +100	-	Black
Chloroprene rubber	CP-060	-35 to +100	shore A70 ± 10	Black

* General characteristics numerical value (reference value)

MEMO

A series of horizontal dashed lines for writing.