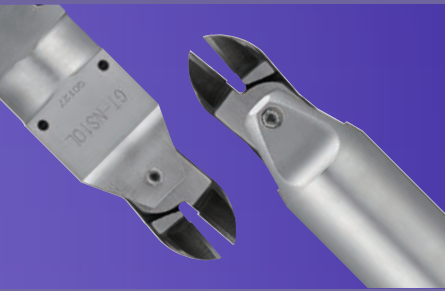
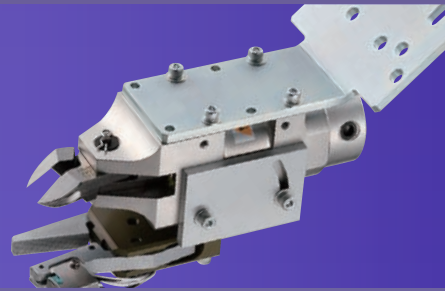
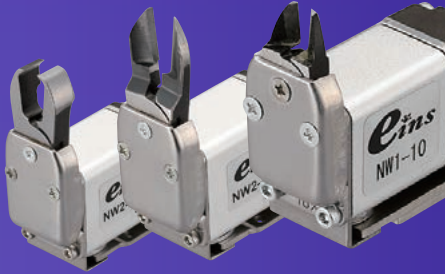


Cut



Mini Air Nippers 4-2

- ▶ How to Select Nipper 4-2
- ▶ NW Series 4-4
- ▶ Replacement Blades 4-9
- ▶ Accessories 4-10
- ▶ Nipper Mounting Brackets 4-11
- ▶ Quick Mount Clip for NW 4-12



Air Nippers 4-14

- ▶ NT Series 4-15
- ▶ NS Series / NR Series / Booster Unit 4-16
- ▶ Nipper Holders / Brackets 4-17
- ▶ NB Series 4-18
- ▶ Sprue Cut Unit / Timing Controller 4-19
- ▶ Replacement Blades / Accessories 4-20
- ▶ NTH Series / NKH Series 4-22

Quick Chuck Change

Quick Chuck Change (Manual)

Tool Changer

Automated Chuck Exchange System

Grip

Mini Cylinder

Accessories for Mini Cylinder

Container Cylinders

Accessories for Container Cylinder

Grippers

Buffer Material

Suction

Suction Cups

Suction Stem

Pad in Pad

Air Ejector / Filter / Check Valve

Micro Mold E.O.A.T

Cut

Mini Air Nippers

Air Nippers

Frame/Module

Jungle Gym

Let's Joint

Rectangular Tube

Base Aluminum Material

Sliding Chuck

Tubing/Sensors

Tubing

Sensors

Other Products

Others

Information



► How to select nipper

The air nipper is selected by material and cut diameter (cut area : mm²) of gate.

1. Check the material of cut gate and sprue

Soft resin

PP, PE, urethane, PS, PVC, PMMA, AS, etc.

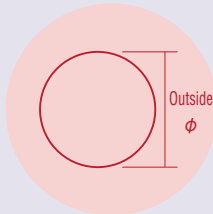
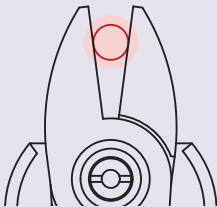
Hard resin

PPS, PA, PBT, LCP, ABS, POM, PC, resin containing glass, etc.

*Cannot be used with copper/iron wire.

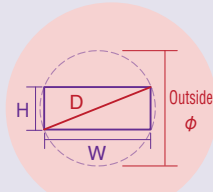
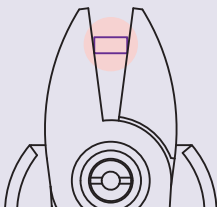
2. Check cut diameter (cut area)

■ To cut round gate



Select the nipper referring to the specification table (right) :
cutting guide (φ) > outside diameter of gate

■ To cut square gate

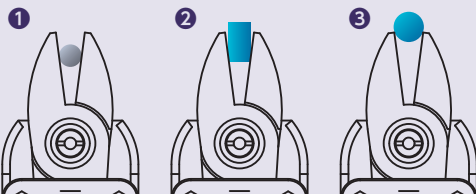


Select the nipper referring to the specification table (right) :
cutting guide (φ) > outside diameter of gate

* Diagonal line (D) = outside diameter (φ)

* Cutting guide: (mm²) > H × W

■ Gate cutting is impossible when:



- ① Gate is not made of resin.
- ② Gate (H) is longer than blade.
- ③ Gate (H) is longer than blade.

When gate made of hard resin is cut

- **Cutting capacity** will decrease by **35%**.
- Select the blade with **brazed cemented carbide tip**.

● Product temperature when the product is cut may influence the finishing state. ● Cutting guide value is for reference.

- ▶ Pull push operation (a blade slides to a work surface to ensure the beautiful cut surface).
- ▶ Compatible with a variety of cuts to suit a variety of different applications.



Standard blade



Thin blade



Reversed blade



Standard long blade



Reversed long blade



Clip type blade

Specification

Cutting capacity

Product name	Shape of blade	Order code No.	Standard	Operation	Used air pressure (Mpa)	Withstand pressure (Mpa)	Cutting capacity (soft resin) round bar (mm)	Max opening width of blade (mm)	Weight (g)	Page of details
Mini air nipper		131537	NW1-10	Pull (Max.2mm)	0.39 (4kgf/cm ²) 0.49 (5kgf/cm ²)	0.7 (7kgf/cm ²)	φ1.7 (2.26mm ²)	3	110	4-4
		131538	NW1-101							
		131539	NW1-10R	Push (Max.2mm)						
		131540	NW2-20				Pull (Max.3mm)			
		131541	NW2-201	Push (Max.3mm)				220		
		131542	NW2-20R				225		4-5	
		131543	NW2-20-V001S	Pull (Max.3mm)				235		
		131544	NW2-20R-V001S				Push (Max.3mm)			
		131545	NW2-20-01C	Pull (Max.3mm)				7		
		131546	NW2-35				Push (Max.3mm)		300	4-6
		131547	NW2-35R	Pull (Max.3mm)						
		131548	NW2-35-V001S				Push (Max.3mm)	10	320	4-7
		131549	NW2-35R-V001S	Pull (Max.3mm)						
		131550	NW2-35-01C				Push (Max.3mm)	8	743	4-8
		131603	NW-50	Pull (Max.5mm)						
	131604	NW-50R	Push (Max.5mm)		745					

*Reference value changed according to the use conditions.

Quick Chuck Change

Quick Chuck Change (Manual)

Tool Changer

Automated Chuck Exchange System

Grip

Mini Cylinder

Accessories for Mini Cylinder

Container Cylinders

Accessories for Container Cylinder

Grippers

Buffer Material

Suction

Suction Cups

Suction Stem

Pad in Pad

Air Ejector / Filter / Check Valve

Micro Mold E.O.A.T

Cut

Mini Air Nippers

Air Nippers

Frame/Module

Jungle Gym

Let's Joint

Rectangular Tube

Base Aluminum Material

Sliding Chuck

Tubing/Sensors

Tubing

Sensors

Other Products

Others

Information



NW Series

Attaching air nipper to the take-out robot and chuck plate will save labor efficiently.



Standard blade

Order code No.	131537
Standard	NW1-10

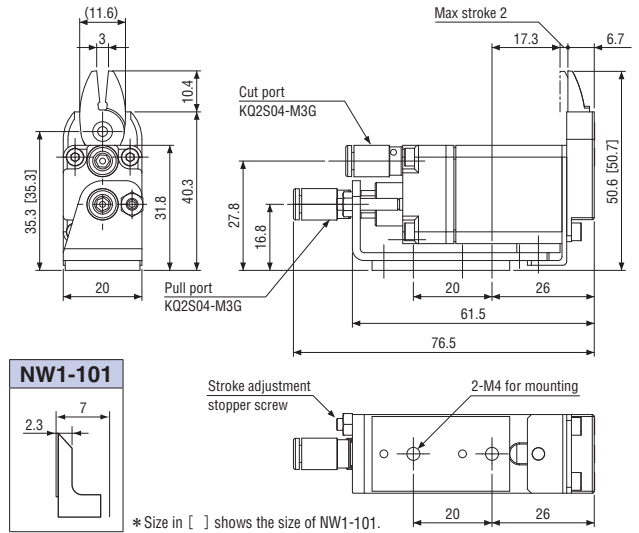
● Weight : 110g



Thin blade

Order code No.	131538
Standard	NW1-101

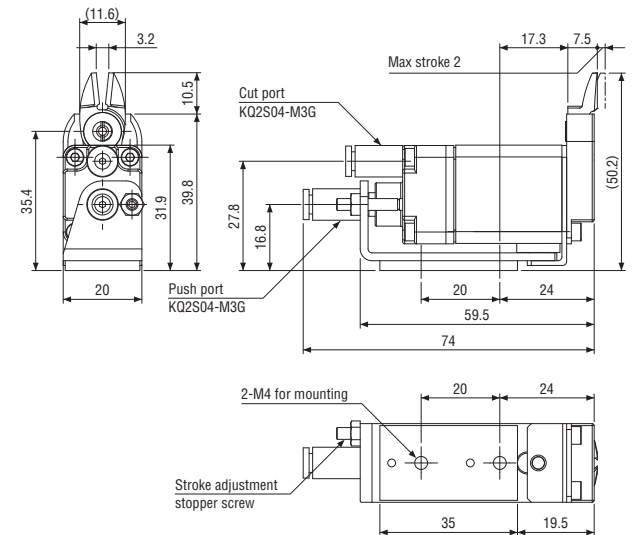
● Weight : 110g



Reversed blade

Order code No.	131539
Standard	NW1-10R

● Weight : 110g



Standard blade

Order code No.	131540
Standard	NW2-20

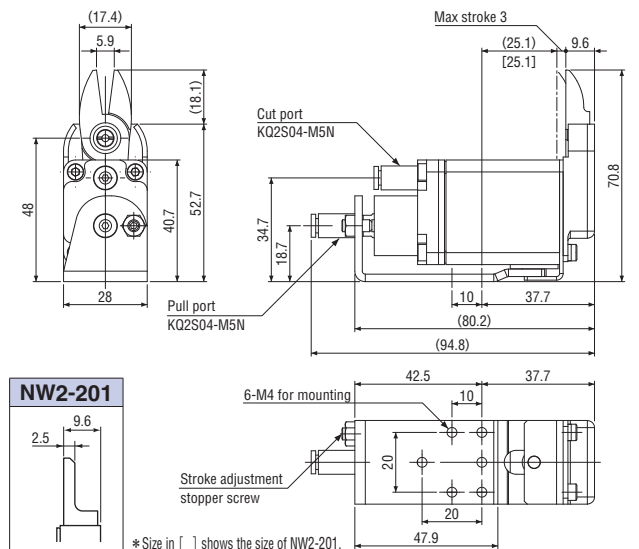
● Weight : 220g



Thin blade

Order code No.	131541
Standard	NW2-201

● Weight : 220g

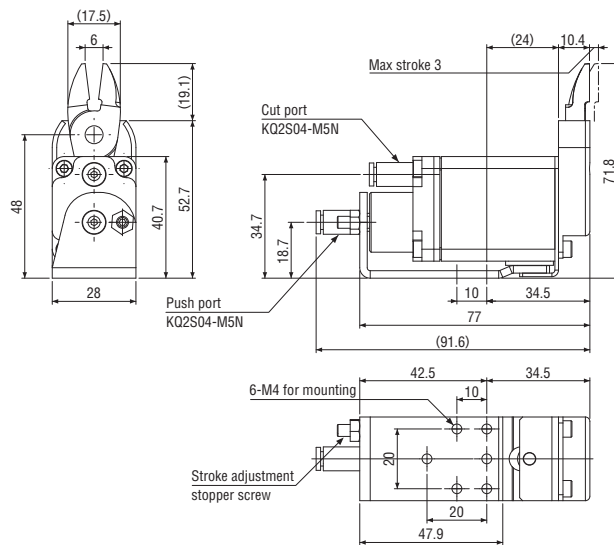




Reversed blade

Order code No.	131542
Standard	NW2-20R

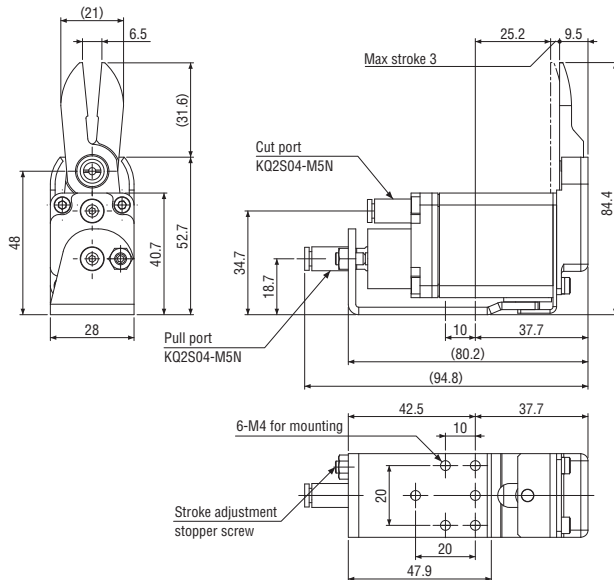
● Weight : 225g



Standard long blade

Order code No.	131543
Standard	NW2-20-V001S

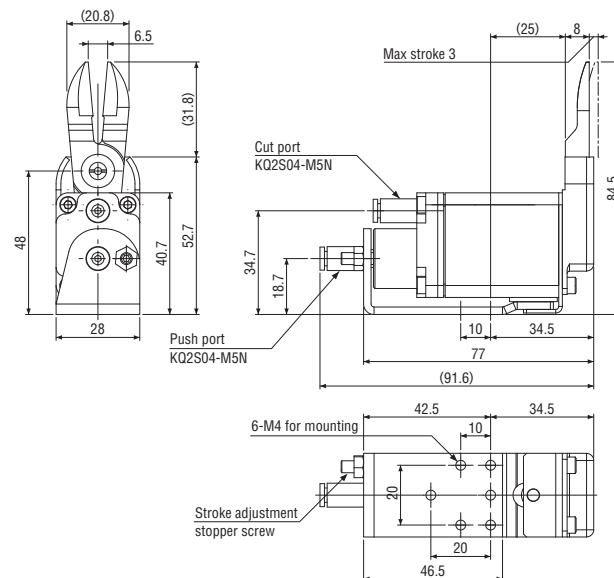
● Weight : 235g



Reversed long blade

Order code No.	131544
Standard	NW2-20R-V001S

● Weight : 235g



Quick Chuck Change

Quick Chuck Change (Manual)

Tool Changer

Automated Chuck Exchange System

Grip

Mini Cylinder

Accessories for Mini Cylinder

Container Cylinders

Accessories for Container Cylinder

Grippers

Buffer Material

Suction

Suction Cups

Suction Stem

Pad in Pad

Air Ejector / Filter / Check Valve

Micro Mold E.O.A.T

Cut

Mini Air Nippers

Air Nippers

Frame/Module

Jungle Gym

Let's Joint

Rectangular Tube

Base Aluminum Material

Sliding Chuck

Tubing/Sensors

Tubing

Sensors

Other Products

Others

Information

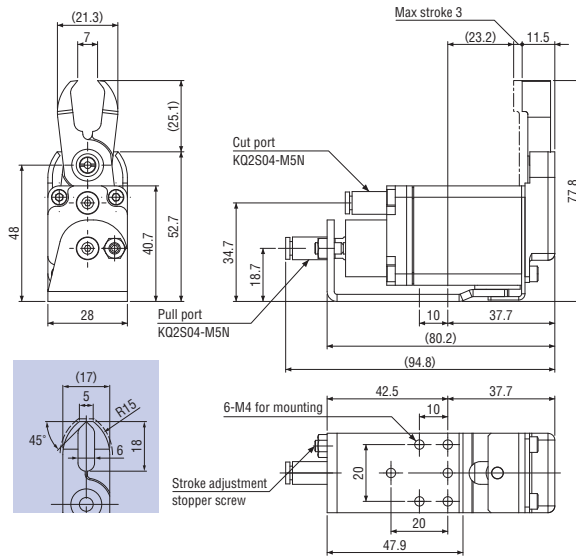
NW Series



Clip type blade

Order code No.	131545
Standard	NW2-20-01C

● Weight : 235g



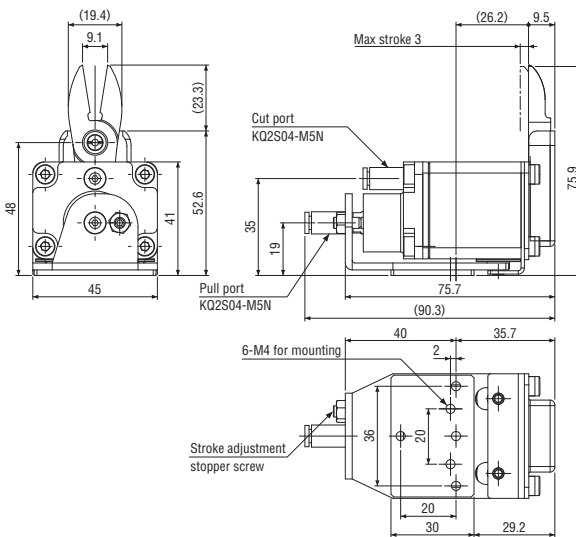
Cut ● Mini Air Nippers



Standard blade

Order code No.	131546
Standard	NW2-35

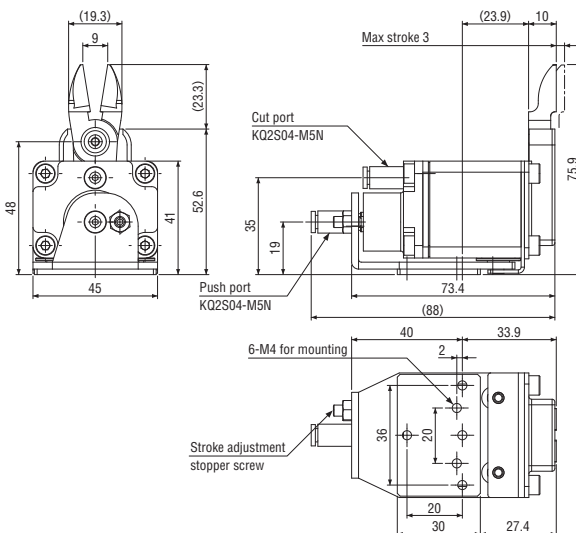
● Weight : 300g



Reversed blade

Order code No.	131547
Standard	NW2-35R

● Weight : 300g

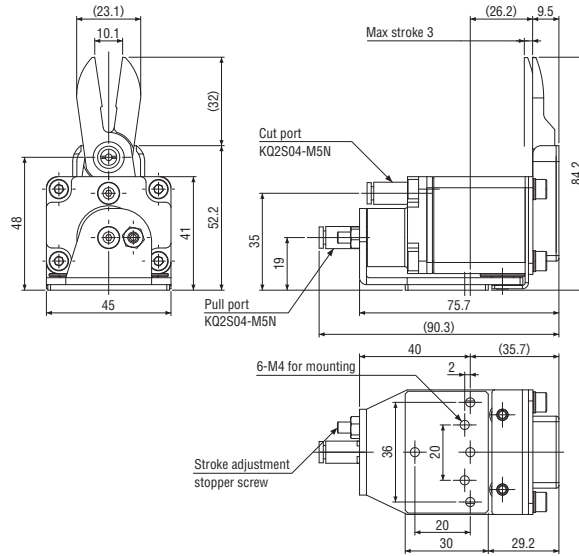




Standard long blade

Order code No.	131548
Standard	NW2-35-V001S

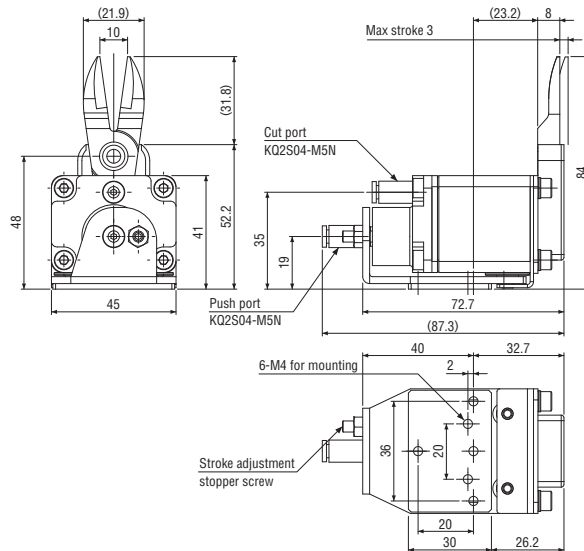
● Weight : 320g



Reversed long blade

Order code No.	131549
Standard	NW2-35R-V001S

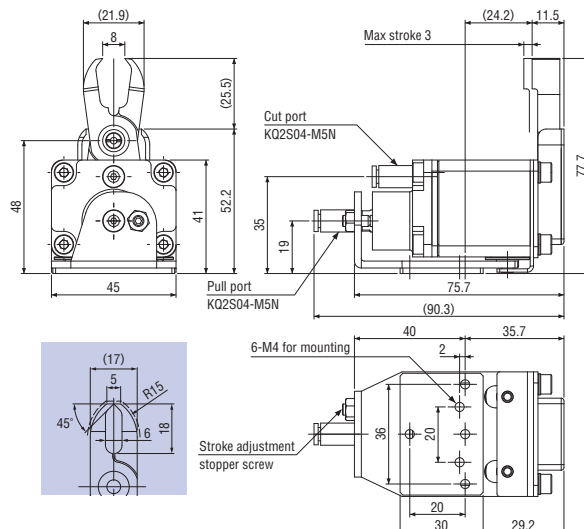
● Weight : 320g



Clip type blade

Order code No.	131550
Standard	NW2-35-01C

● Weight : 320g



Quick Chuck Change

Quick Chuck Change (Manual)

Tool Changer

Automated Chuck Exchange System

Grip

Mini Cylinder

Accessories for Mini Cylinder

Container Cylinders

Accessories for Container Cylinder

Grippers

Buffer Material

Suction

Suction Cups

Suction Stem

Pad in Pad

Air Ejector/Filter/Check Valve

Micro Mold E.O.A.T

Cut

Mini Air Nippers

Air Nippers

Frame/Module

Jungle Gym

Let's Joint

Rectangular Tube

Base Aluminum Material

Sliding Chuck

Tubing/Sensors

Tubing

Sensors

Other Products

Others

Information

NW Series

- The picture and drawing specify the product under development. Product/specification and dimension may be changed.
- Please visit our web site or contact our sales offices for more information about selling period and price/specifications.

▶ The $\phi 5$ (soft resin) product can be cut. The slide includes the new mechanism.

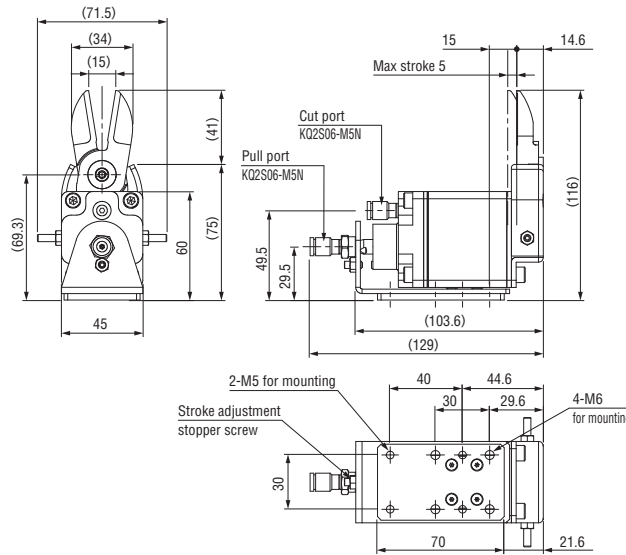
NEW



Standard blade

Order code No.	131603
Standard	NW-50

- W/ blade open adjust mechanism
- Weight : 743g



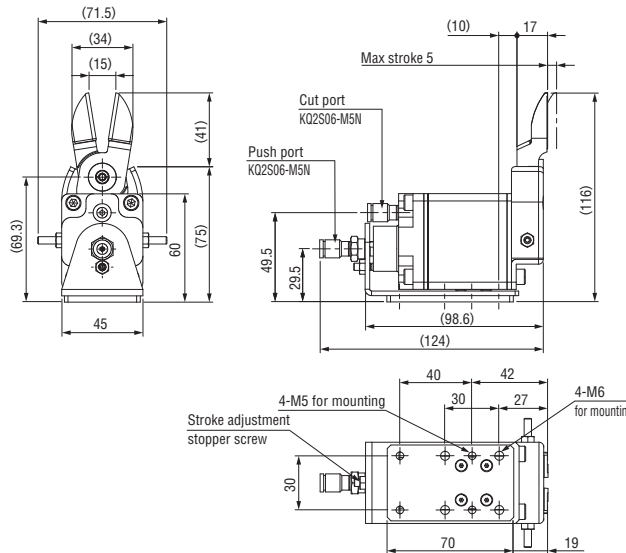
NEW



Reversed blade

Order code No.	131604
Standard	NW-50R

- W/ blade open adjust mechanism
- Weight : 745g





Replacement Blades

Use spare standard mini air nipper blade.

Spare blade					
	Order code No.	041050	041051	041758	041871
	Standard	EG-NW10	EG-NW101	EG-NW10R	EG1-NW20
	Weight	20g	20g	20g	61g
	Supported nipper	NW1-10 (standard blade)	NW1-101 (thin blade)	NW1-10R (reversed blade)	NW2-20 (standard blade)
	Order code No.	041872	041916	041851	041852
	Standard	EG1-NW201	EG1-NW20R	EG1-NW35	EG1-NW35R
	Weight	61g	61g	68g	68g
	Supported nipper	NW2-201 (thin blade)	NW2-20R (reversed blade)	NW2-35 (standard blade)	NW2-35R (reversed blade)

Standard long blade					
	Order code No.	041064	041361	041065	041310
	Standard	EG-NW20-V001S	EG-NW20R-V001S	EG-NW35-V001S	EG-NW35R-V001S
	Weight	80g	80g	85g	85g
	Supported nipper	NW2-20 (standard blade)	NW2-20R (reversed blade)	NW2-35 (standard blade)	NW2-35R (reversed blade)

Carbide blade					
	Order code No.	041876	041923	041866	041867
	Standard	EG1-NW20 (Carbide blade)	EG1-NW20R (Carbide blade)	EG1-NW35 (Carbide blade)	EG1-NW35R (Carbide blade)
	Weight	61g	61g	68g	68g
	Supported nipper	NW2-20 (standard blade)	NW2-20R (reversed blade)	NW2-35 (standard blade)	NW2-35R (reversed blade)

Clip type blade			
	Order code No.	041066	041067
	Standard	EG-NW20-01C	EG-NW35-01C
	Weight	80g	90g
	Supported nipper	NW2-20, NW2-20R	NW2-35, NW2-35R

Adjustable opening				
 Blade opening can be adjusted by two screws.	* Delivery time runs about one week from the order date. * Setscrew with hexagon socket and hexagon nut are included.			
	Order code No.	041873	041874	041924
	Standard	EG1-NW20-AST	EG1-NW201-AST	EG1-NW20R-AST
	Weight	63g	63g	63g
	Supported nipper	NW2-20 (standard blade)	NW2-201 (thin blade)	NW2-20R (reversed blade)
	Order code No.	041853	041854	
	Standard	EG1-NW35-AST	EG1-NW35R-AST	
	Supported nipper	NW2-35 (standard blade)	NW2-35R (reversed blade)	

NEW For NW-50, 50R

Spare blade			
	Order code No.	041955	041956
	Standard	EG-NW50	EG-NW50R
	Weight	268g	276g
	Supported nipper	NW-50 (standard blade)	NW-50R (reversed blade)

Quick Chuck Change

Quick Chuck Change (Manual)

Tool Changer

Automated Chuck Exchange System

Grip

Mini Cylinder

Accessories for Mini Cylinder

Container Cylinders

Accessories for Container Cylinder

Grippers

Buffer Material

Suction

Suction Cups

Suction Stem

Pad in Pad

Air Ejector / Filter / Check Valve

Micro Mold E.O.A.T

Cut

Mini Air Nippers

Air Nippers

Frame/Module

Jungle Gym

Let's Joint

Rectangular Tube

Base Aluminum Material

Sliding Chuck

Tubing/Sensors

Tubing

Sensors

Other Products

Others

Information



Accessories

Used for maintenance of mini air nipper.

Spring for blade



Order code No.	130744	131536
Standard	For NW-10	For NW2-20.35
Weight	0.1g	0.2g
Supported nipper	NW1-10, 10R	NW2-20, 20R, 35, 35R

Piston



Order code No.	130767	130768	130769
Standard	For NW/NC-10	For NW/NC-20.20R	For NW/NC-35.35R
Weight	3g	9g	11g
Supported nipper	NC/NW-10, 10R	NC/NW-20, 20R	NC/NW-35, 35R

Piston packing



Order code No.	130772	130773
Standard	For NW/NC-10 (MYA-14 special)	NW/NC-20.20R (MY-22 special)
Weight	0.3g	0.5g
Supported nipper	NC/NW1-10, 10R	NC/NW2-20, 20R



Order code No.	131487
Standard	NW1-35.35R (LX0107-001-0)
Weight	1.2g
Supported nipper	NW2-35, 35R

Piston spring * Two pieces are used for a nipper (one piece for NW-35/35R).



Order code No.	130766	130770
Standard	For NC/NW-10	For NC/NW-20.20R
Weight	0.2g	0.5g
Supported nipper	NC/NW1-10, 10R	NC/NW2-20, 20R



Order code No.	130771
Standard	For NW-35.35R
Weight	5.6g
Supported nipper	NW2-35, 35R

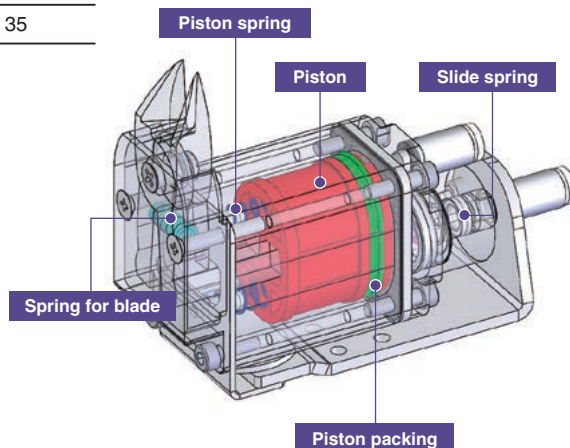
Slide spring



Order code No.	130257	130251
Standard	For NC/NW-10	NC/NW-20.35 (J07930-015-0)
Weight	0.1g	0.4g
Supported nipper	NW-10	NW-20, 35



Order code No.	131255
Standard	NW-20R.35R (J0793R-004-0)
Weight	1g
Supported nipper	NW-20R, 35R





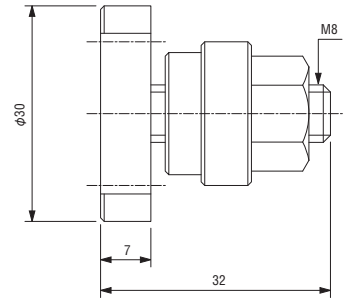
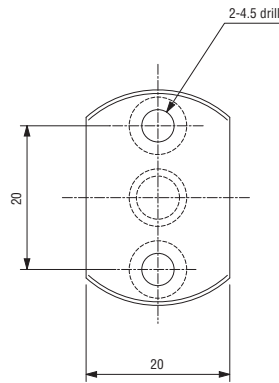
Nipper Mounting Brackets

Metal fixture to fix an air nipper to a NT gate cut unit.



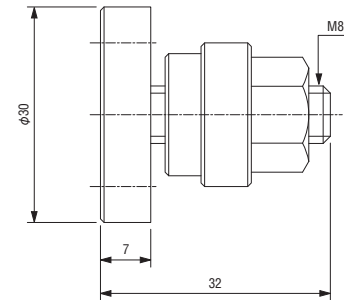
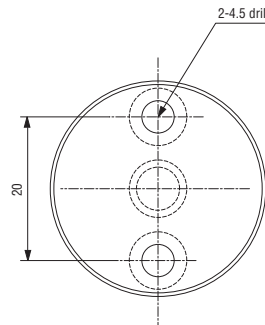
Order code No.	130216
Standard	For NC/NW-10

- Weight : 61g
- Also can be used for NW-35.
- Accessories : taper washer/1pc. screw (M4)/2pcs.



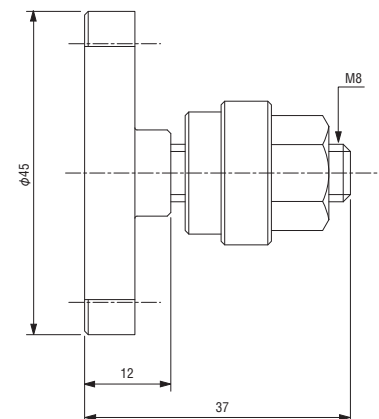
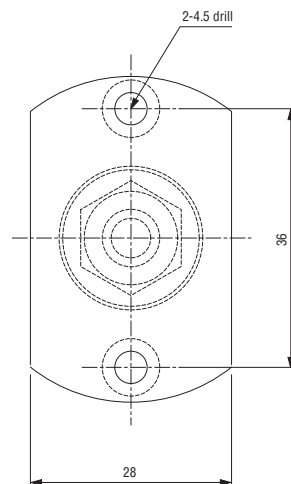
Order code No.	130162
Standard	For NC/NW-20

- Weight : 70g
- Also can be used for NW-35.
- Accessories : taper washer/1pc. screw (M4)/2pcs.



Order code No.	130163
Standard	For NC/NW-35

- Weight : 99g
- Cannot be used for NW-10 and NW-20.
- Accessories : taper washer/1pc. screw (M4)/2pcs.



Quick Chuck Change

Quick Chuck Change (Manual)

Tool Changer

Automated Chuck Exchange System

Grip

Mini Cylinder

Accessories for Mini Cylinder

Container Cylinders

Accessories for Container Cylinder

Grippers

Buffer Material

Suction

Suction Cups

Suction Stem

Pad in Pad

Air Ejector / Filter / Check Valve

Micro Mold E.O.A.T

Cut

Mini Air Nippers

Air Nippers

Frame/Module

Jungle Gym

Let's Joint

Rectangular Tube

Base Aluminum Material

Sliding Chuck

Tubing/Sensors

Tubing

Sensors

Other Products

Others

Information



Quick Mount Clip for NW

The mounting angle can be free adjusted without using the tool.



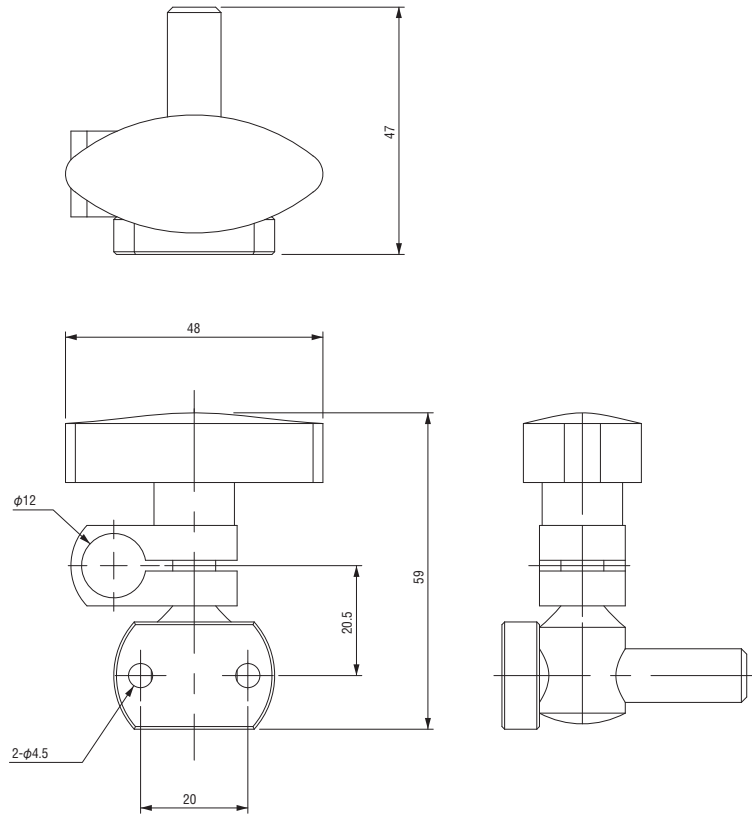
Quick mount clip • for NW

Order code No.	110558
Standard	L10160-CL

- Weight : 80g
- Accessories : Mounting bolt (M4) x 2



Mini air nipper is mounted and attached to $\phi 12$ SS jungle gym.



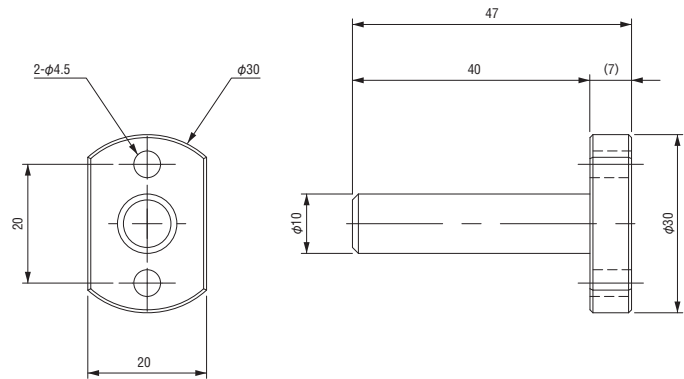
Cut • Mini Air Nippers



Nipper mounting brackets

Order code No.	110622
Standard	L10160-000

- Weight : 20g
- Accessories : Mounting bolt (M4) x 2



MEMO

A series of horizontal dashed lines for writing.



Specification

Product name	Order code No.	Standard	Operation	Used air pressure (Mpa)	Applied pressure (N)	Cutting capacity [soft resin] round bar (mm)	Slide amount (mm)	Weight (g)	Page of details				
Air nipper	Slide vertical w/o blade	060207	GT-NT03	Pull	0.4-0.5	147	φ 1.5	MAX3	178	4-15			
		060208	GT-NT05	Pull		196	φ 2.5		325				
		060225	GT-NT05R	Push		441	φ 3.5		515				
		060209	GT-NT10	Pull				MAX8	930				
		060226	GT-NT10R	Push					MAX8		930		
		060227	GT-NT20	Pull				0.5-0.6			931	φ 5	930
		060228	GT-NT20R	Push		588	Different according to the spare blade.		-		230	4-16	
	Square type w/o blade	060240	GT-NS10L	-	-					-	-		390
		060241	GT-NS20										705
		060242	GT-NS30			160							
	Round type w/o blade	060083	GT-NR10L	-	-	-	-		280				
		060084	GT-NR20					510					
		060085	GT-NR30					510					
Booster unit	150793	P-20	-	-0.5	-	-	-	215	-				
	150786	P-30						330					
Nipper holder	370336	CP-035 (For GT-NR10L)	-	-	-	-	-	66	4-17				
	370337	CP-036 (For GT-NR20)						87					
	370338	CP-037 (For GT-NR30)						105					
Bracket	110656	LX0090-100 (L.R)	-	-	-	-	-	125.4	-				
Air nipper	Slide bracket w/o blade	130229	GT-NB20 5-HIKU	Pull	0.5-0.6	1,372	Different according to the spare blade.	MAX5	710	4-18			
		130230	GT-NB20 5-OSHI	Push					MAX10		720		
		130231	GT-NB20 10-HIKU	Pull				1,400					
		130235	GT-NB30 10-HIKU	Pull				785					
		060477	GT-NB20LW-10TM	Pull				1,372					
		060478	GT-NB30LW-10TM	Pull				2,744	1,315				
Sprue cut unit	131565	NS20U	-	-	-	-	-	1,078	4-19				
Timing controller	060321	GT-TC-02	-	-	-	-	-	275					

Product name	Order code No.	Standard	Operation	Used air pressure (Mpa)	Cutting capacity [soft resin] round bar (mm)	Slide amount (mm)	Weight (g)	Page of details	
Heat air nipper	Slide vertical w/ blade	060353	GT-NTH05	Pull	0.4-0.5	φ 2.5	MAX3	325	4-22
		060354	GT-NTH10	Pull		φ 3.5		515	
	Flow controller type	060355	GT-NKH10	-	0.5-0.6	Thickness:φ1.5, Width:φ7	715		
	Heat air nipper air hydro	060356	GT-NKH20	-		Thickness:φ1.5, Width:φ10	MAX8	700	
	Temperature controller	030492	DTC-001	-		-	-	900	



NT Series

Used for cutting large gate diameter products of direct gate or side gate.

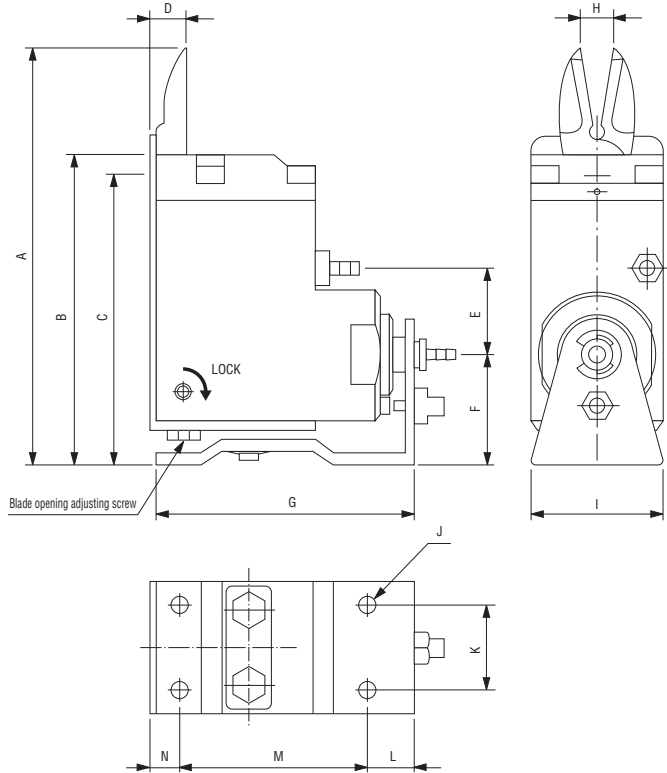
- Spare blades are sold separately.
- The photo shows an example of assembled.

■ Air nipper slide vertical

- ▶ Blade opening can be adjusted.
- ▶ Slide stroke can be adjusted.
- ▶ A workpiece can be cut by close contact.



Blade
Option



Order code No.	060207
Standard	GT-NT03

● Weight : 178g

Uses	Operation	Blade
Standard blade	Pull	Option

Order code No.	060208
Standard	GT-NT05

● Weight : 325g

Uses	Operation	Blade
Standard blade	Pull	Option

Order code No.	060225
Standard	GT-NT05R

● Weight : 325g

Uses	Operation	Blade
Reversed blade	Push	Option

Order code No.	060209
Standard	GT-NT10

● Weight : 515g

Uses	Operation	Blade
Standard blade	Pull	Option

Order code No.	060226
Standard	GT-NT10R

● Weight : 515g

Uses	Operation	Blade
Reversed blade	Push	Option

Order code No.	060227
Standard	GT-NT20

● Weight : 930g

Uses	Operation	Blade
Standard blade	Pull	Option

Order code No.	060228
Standard	GT-NT20R

● Weight : 930g

Uses	Operation	Blade
Reversed blade	Push	Option

Spare blade for GT-NT * The standard and reverse directions of spare blade can be changed.

Order code No.	130403	130310	130311	130404
Standard	NT03AJ	NE5AJ	NE10AJ	NT20AJ
Supported nipper	GT-NT03(R)	GT-NT05(R)	GT-NT10(R)	GT-NT20(R)

■ Dimensions

(mm)

Standard	GT-NT03	GT-NT05	GT-NT10	GT-NT20
A	87.1	90.1	110.1	136.1
B	68	71	88	102.1
C	63.1	66.1	83.1	96.1
D	9	9	11	14
E	15	20	21	21.9
F	23.1	25.1	29.1	33.1
G	62	64	73	103
H	MAX3	MAX6	MAX7	MAX9
I	19	32	38	44
J	M3	M4	M4	M5
K	14	20	24	28
L	12	12	12	13
M	43	45	53	80
N	7	7	8	10

Quick Chuck Change

Quick Chuck Change (Manual)

Tool Changer

Automated Chuck Exchange System

Grip

Mini Cylinder

Accessories for Mini Cylinder

Container Cylinders

Accessories for Container Cylinder

Grippers

Buffer Material

Suction

Suction Cups

Suction Stem

Pad in Pad

Air Ejector / Filter / Check Valve

Micro Mold E.O.A.T

Cut

Mini Air Nippers

Air Nippers

Frame/Module

Jungle Gym

Let's Joint

Rectangular Tube

Base Aluminum Material

Sliding Chuck

Tubing/Sensors

Tubing

Sensors

Other Products

Others

Information



NS Series / NR Series / Booster Unit

Used for cutting large gate diameter products of direct gate or side gate.

- Spare blade and spring are sold separately.
- The photo shows an example of assembled.

Air nipper square type

Blade
Option



Order code No.	060240
Standard	GT-NS10L

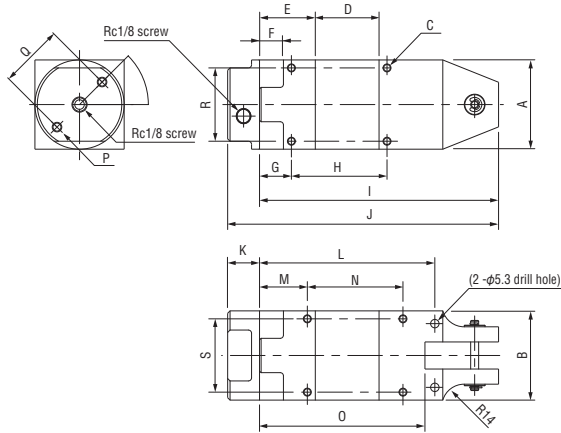
● Weight : 230g

Order code No.	060241
Standard	GT-NS20

● Weight : 390g

Order code No.	060242
Standard	GT-NS30

● Weight : 705g



Dimensions

(mm)

Standard	GT-NS10L	GT-NS20	GT-NS30
A	36	45	56
B	36	45	56
C	16-M4×0.7 screw depth 5.5	16-M4×0.7 screw depth 7	16-M5×0.8 screw depth 10
D	17	25	40
E	27	29	35
F	14	14	15
G	18	19	20
H	30	40	60
I	93	109	150
J	113	129	170
K	20	20	20
L	65	81	110
M	23	24	30
N	30	40	60
O	59.8	76.8	103.8
P	2-M4 screw depth 10	2-M5 screw depth 12	2-M6 screw depth 12
Q	24	30	40
R	28	36	46
S	28	36	46

Air nipper round type

Blade
Option



Order code No.	060083
Standard	GT-NR10L

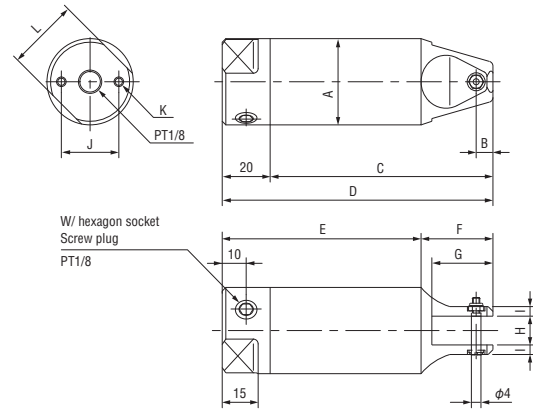
● Weight : 160g

Order code No.	060084
Standard	GT-NR20

● Weight : 280g

Order code No.	060085
Standard	GT-NR30

● Weight : 510g

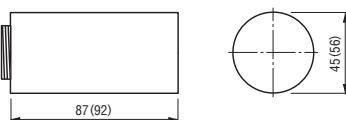


Dimensions

(mm)

Standard	GT-NR10L	GT-NR20	GT-NR30
A	φ 36	φ 45	φ 56
B	7	6	10
C	93	109	145
D	113	129	165
E	83	100	127
F	30	29	38
G	22.5	19	28.5
H	12	12	17
I	4	5.5	6.5
J	24	30	40
K	2-M4 screw depth 10	2-M5 screw depth 12	2-M6 screw depth 12
L	30	36	46

Cut ● Air Nippers



* () inside indicates the dimension of P-30.

► When original welding pressure cannot be created with limitations of space and air pressure.

Booster unit

Order code No.	150793
Standard	P-20

- Weight : 215g
- Air consumption : 508cm³
- Air pressure power : ~ 0.5MPa
- Applicable : NS20, NR20

Booster unit

Order code No.	150786
Standard	P-30

- Weight : 330g
- Air consumption : 956cm³
- Air pressure power : ~ 0.5MPa
- Applicable : NS30, NR30



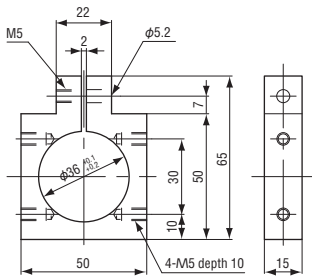
Nipper Holders / Brackets

Use the product by mounting to round nipper "GT-NR series."

Nipper holder

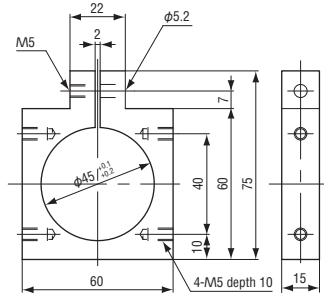
Order code No.	370336
Standard	CP-035 (For GT-NR10L)

● Weight : 66g



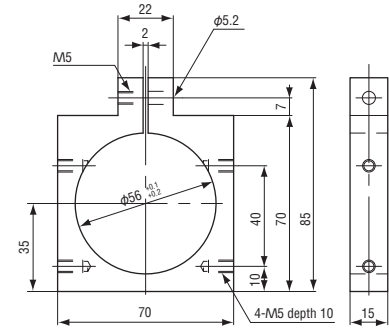
Order code No.	370337
Standard	CP-036 (For GT-NR20)

● Weight : 87g



Order code No.	370338
Standard	CP-037 (For GT-NR30)

● Weight : 105g



Nipper bracket

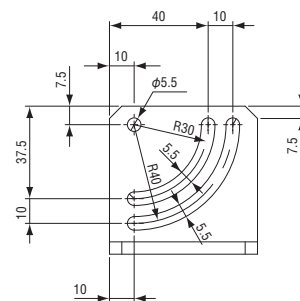
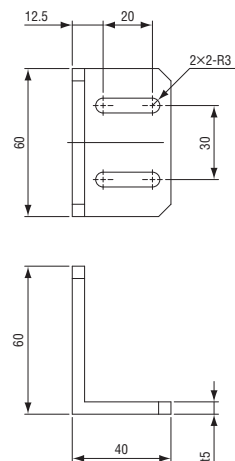
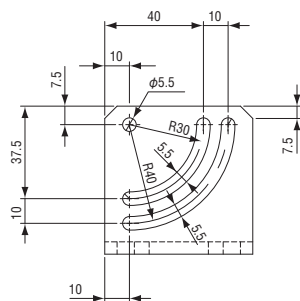
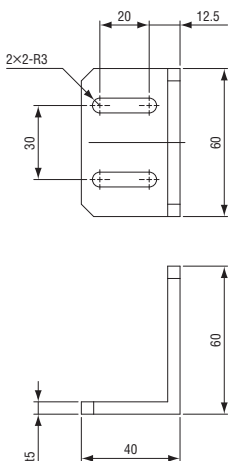


Order code No.	110656
Standard	LX0090-100 (L,R)

- Weight : 125.4g (set weight)
- Include L and R brackets



● The photo shows an example of assembled GT-NR20, CP-036, and LX0090-100.



Quick Chuck Change

Quick Chuck Change (Manual)

Tool Changer

Automated Chuck Exchange System

Grip

Mini Cylinder

Accessories for Mini Cylinder

Container Cylinders

Accessories for Container Cylinder

Grippers

Buffer Material

Suction

Suction Cups

Suction Stem

Pad in Pad

Air Ejector / Filter / Check Valve

Micro Mold E.O.A.T

Cut

Mini Air Nippers

Air Nippers

Frame/Module

Jungle Gym

Let's Joint

Rectangular Tube

Base Aluminum Material

Sliding Chuck

Tubing/Sensors

Tubing

Sensors

Other Products

Others

Information



NB Series

Used for cutting large gate diameter products of direct gate or side gate.

- Spare blade and spring are sold separately.
- Can not be sold separate.

- The spare blade is compatible with GT-NR.

Slide air nipper

- ▶ Can be used for gate cut devices with slide air nipper bracket type.
- ▶ Applicable with cutting of large sized molded parts.

- ▶ W/ slide mechanism for position adjustment with high precision.



Order code No.	130229
Standard	GT-NB20 5-HIKU

- Weight : 710g
- Slide amount : 5mm

Operation	Blade
Pull	Option

Order code No.	130230
Standard	GT-NB20 5-OSHI

- Weight : 710g
- Slide amount : 5mm

Operation	Blade
Push	Option

Order code No.	130231
Standard	GT-NB20 10-HIKU

- Weight : 720g
- Slide amount : 10mm

Operation	Blade
Pull	Option

Order code No.	130235
Standard	GT-NB30 10-HIKU

- Weight : 1,400g
- Slide amount : 10mm

Operation	Blade
Pull	Option



Order code No.	060477
Standard	GT-NB20LW-10TM

- Weight : 785g
- Slide amount : 10mm

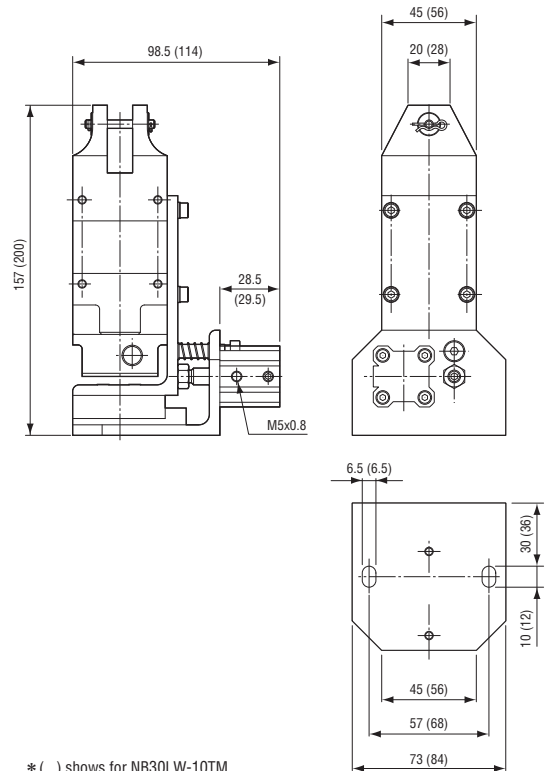
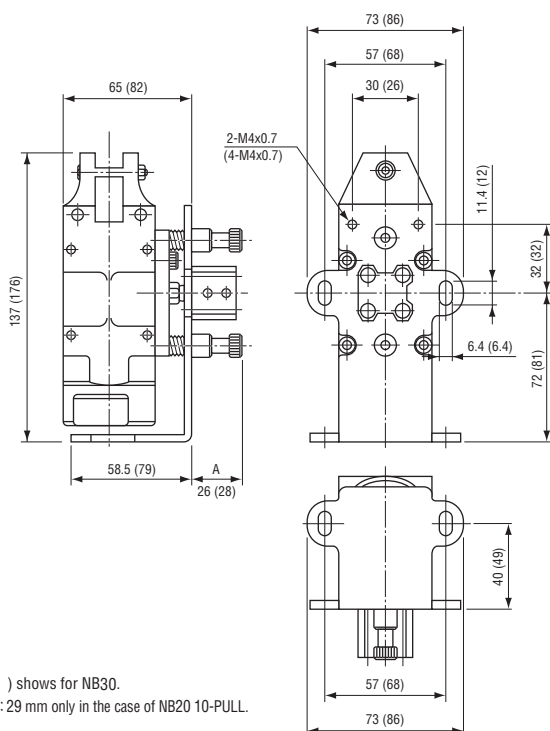
Operation	Blade
Pull	Option

Order code No.	060478
Standard	GT-NB30LW-10TM

- Weight : 1,315g
- Slide amount : 10mm

Operation	Blade
Pull	Option

High-precision slide mechanism



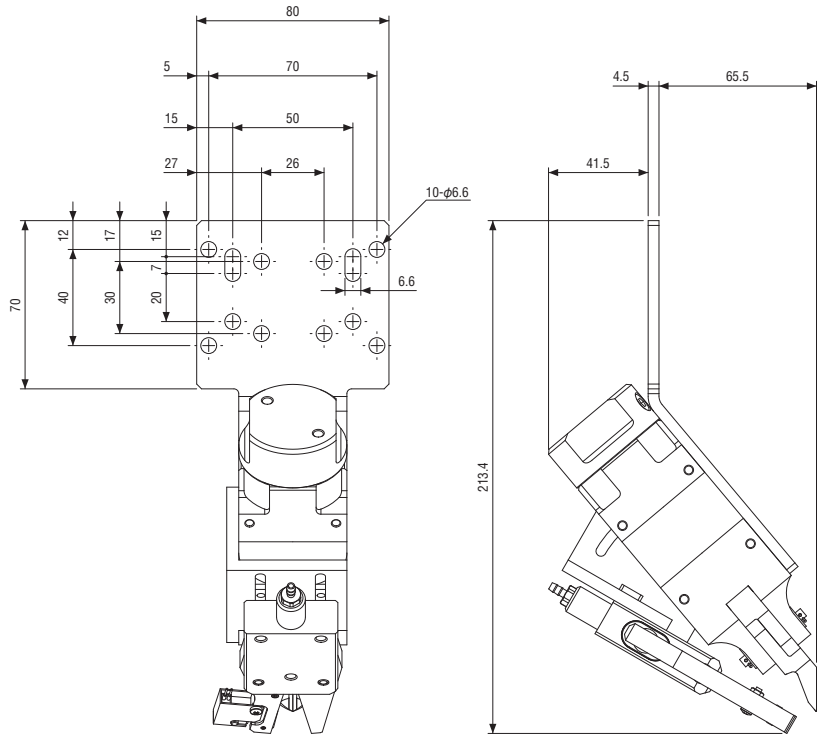
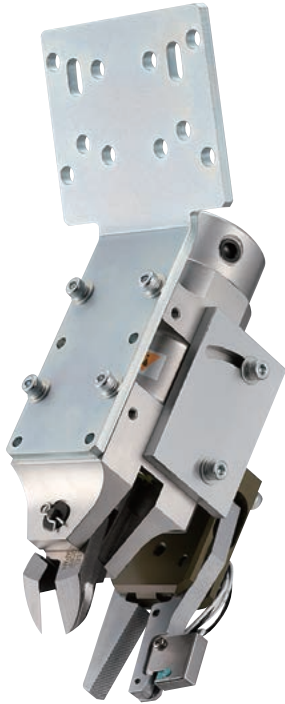
* () shows for NB30.
* A: 29 mm only in the case of NB20 10-PULL.



Sprue Cut Unit / Timing Controller

Cutting with sprue chucking is possible.

► Most suitable for plastic direct gate.



Sprue cut unit

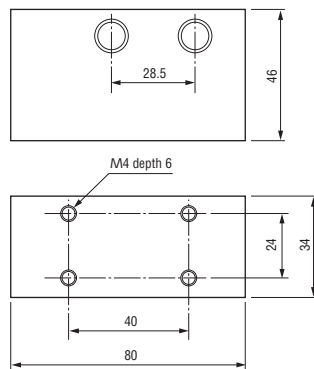
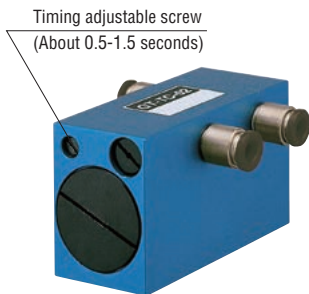
Order code No.	131565
Standard	NS20U

- Weight : 1.078g
- Sold as a set.
- Runner chuck: limit SW type

Standard	Product name	Order code No.	Standard	Qty	Page of details
A	Runner chuck EL w/ limit SW	023006	CHK-EL1-12-C1	1	2-31
B	Air nipper square type w/o blade	060241	GT-NS20	1	4-16
C	Blade for GT-20L flat	130726	N20PF	1	4-20
D	Sprue cut unit (parts)	131553	NS20U-P	1	-

● Delivery time runs about one month from the order date.

► Setting in tubing allows adjustment of slide conditions for slide nippers and cutting timing. (About 0.5-1.5 seconds)

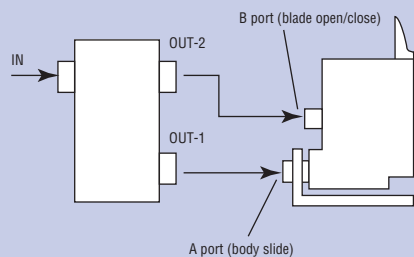


Timing controller

Order code No.	060321
Standard	GT-TC-02

- Weight : 275g
- Air pressure power : 0.6MPa
- With tube joint : inner diameter φ4mm, outside-diameter φ6mm

Example of connection



3-port magnet valve (compressor side) → Timing controller → Slide air nipper

Quick Chuck Change

Quick Chuck Change (Manual)

Tool Changer

Automated Chuck Exchange System

Grip

Mini Cylinder

Accessories for Mini Cylinder

Container Cylinders

Accessories for Container Cylinder

Grippers

Buffer Material

Suction

Suction Cups

Suction Stem

Pad in Pad

Air Ejector / Filter / Check Valve

Micro Mold E.O.A.T

Cut

Mini Air Nippers

Air Nippers

Frame/Module

Jungle Gym

Let's Joint

Rectangular Tube

Base Aluminum Material

Sliding Chuck

Tubing/Sensors

Tubing

Sensors

Other Products

Others

Information



Replacement Blades / Accessories

Spare blades for GT-NS/GT-NR/GT-NB.

● The cutting capacity depends on the material.

► Supported nipper : GT-NS10L/GT-NR10L

Dimensions	Specification	
	Order code No.	130218
	Standard	N10L1S
	Weight	165g
	Opened blade-to blade distance	10mm
	Order code No.	130219
	Standard	N10L2S
	Weight	170g
	Opened blade-to blade distance	10mm
	Cutting capacity (soft resin)	φ 3.5

Dimensions	Specification	
	Order code No.	130724
	Standard	N10LAP
	Weight	132g
	Opened blade-to blade distance	5mm
	Order code No.	130725
	Standard	N10LPF
	Weight	136g
	Opened blade-to blade distance	5mm
	Cutting capacity (soft resin)	φ 4

► Supported nipper : GT-NS20/GT-NR20/GT-NB20

Dimensions	Specification	
	Order code No.	130222
	Standard	N203S
	Weight	185g
	Opened blade-to blade distance	14mm
	Order code No.	130220
	Standard	N201S
	Weight	200g
	Opened blade-to blade distance	16mm
	Order code No.	130221
	Standard	N202S
	Weight	175g
	Opened blade-to blade distance	14mm
	Cutting capacity (soft resin)	φ 6
	Order code No.	130726
	Standard	N20PF
	Weight	130g
	Opened blade-to blade distance	11mm
	Cutting capacity (soft resin)	φ 7
	Order code No.	130697
	Standard	N20AJ
	Weight	125g
	Opened blade-to blade distance	11mm
	Cutting capacity (soft resin)	φ 7

Dimensions	Specification	
	Order code No.	130680
	Standard	N20AP
	Weight	130g
	Opened blade-to blade distance	11mm
	Cutting capacity (soft resin)	φ 7
	Order code No.	130727
	Standard	N20AE
	Weight	145g
	Opened blade-to blade distance	8mm
	Cutting capacity (soft resin)	φ 7 L=12
	Order code No.	130265
	Standard	N206S
	Weight	170g
	Opened blade-to blade distance	14mm
	Cutting capacity (soft resin)	φ 6
	Order code No.	131602
	Standard	N207SA
	Weight	190g
	Opened blade-to blade distance	13mm
	Cutting capacity (soft resin)	φ 6
	Order code No.	130655
	Standard	N20AJL
	Weight	230g
	Opened blade-to blade distance	16mm
	Cutting capacity (soft resin)	φ 6



N201S



N301S



N30AE

► Supported nipper : **GT-NS20/GT-NR20/GT-NB20**

Dimensions	Specification	
	Order code No.	131466
	Standard	N20AML1498
	Weight	270g
	Opened blade-to blade distance	9.5mm
	Order code No.	131467
	Standard	N20AH
	Weight	240g
	Opened blade-to blade distance	16mm
	Order code No.	131469
	Standard	N20AK249
	Order code No.	131468
	Standard	N20AMR1499
	Weight	270g
	Opened blade-to blade distance	9.5mm
	Cutting capacity (soft resin)	10×1.5
		Weight
Opened blade-to blade distance		14mm
	Cutting capacity (soft resin)	φ5.5

► Supported nipper : **GT-NS30/GT-NR30/GT-NB30**

Dimensions	Specification		
	Order code No.	130225	
	Standard	N301S	
	Weight	430g	
	Opened blade-to blade distance	20mm	
	Order code No.	130329	
	Standard	N30AP	
	Weight	380g	
	Opened blade-to blade distance	16mm	
	Order code No.	131601	
	Standard	N303SA	
	Weight	390g	
	Opened blade-to blade distance	16mm	
	Cutting capacity (soft resin)	φ8	
		Order code No.	131470
		Standard	N30AJL
		Weight	470g
Opened blade-to blade distance		19mm	
	Cutting capacity (soft resin)	φ8	
		Order code No.	130730
Standard		N30PF	
Weight		415g	
Opened blade-to blade distance		15mm	
	Order code No.	130729	
	Standard	N30AE	
	Weight	440g	
	Opened blade-to blade distance	12mm	
	Cutting capacity (soft resin)	φ10 L=23	
		Order code No.	130795
		Standard	N30AJ
		Weight	370g
Opened blade-to blade distance		11mm	
	Cutting capacity (soft resin)	φ10	

► Blade Springs

	Order code No.	060100
	Standard	GT-NR10L.20 (N10L.N20 Change blade)
	Supported nipper	NS/NR 10L, NS/NR/NB 20

	Order code No.	060101
	Standard	GT-NR30 (N30 Change blade)
	Supported nipper	NS/NR/NB 30

Quick Chuck Change

Quick Chuck Change (Manual)

Tool Changer

Automated Chuck Exchange System

Grip

Mini Cylinder

Accessories for Mini Cylinder

Container Cylinders

Accessories for Container Cylinder

Grippers

Buffer Material

Suction

Suction Cups

Suction Stem

Pad in Pad

Air Ejector/Filter/Check Valve

Micro Mold E.O.A.T

Cut

Mini Air Nippers

Air Nippers

Frame/Module

Jungle Gym

Let's Joint

Rectangular Tube

Base Aluminum Material

Sliding Chuck

Tubing/Sensors

Tubing

Sensors

Other Products

Others

Information



NTH Series / NKH Series

Used for cutting large gate diameter products of direct gate or side gate.

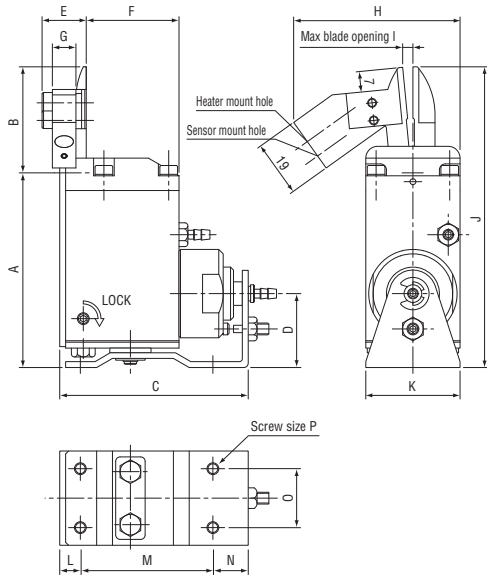
▶ Gate cut for transparent parts without crack.

*Attachments : blade, temperature sensor harness, thermocouple harness



Heat air nipper slide vertical

Order code No.	060353
Standard	GT-NTH05
● Weight : 325g	
Order code No.	060354
Standard	GT-NTH10
● Weight : 515g	



▶ Suitable for the gate cut of glass fiber/hard plastics.

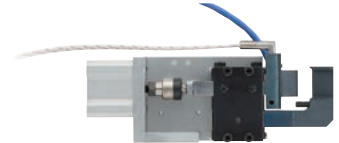
▶ Cutting performance is excellent crack.

*Attachments : blade, temperature sensor harness, thermocouple harness



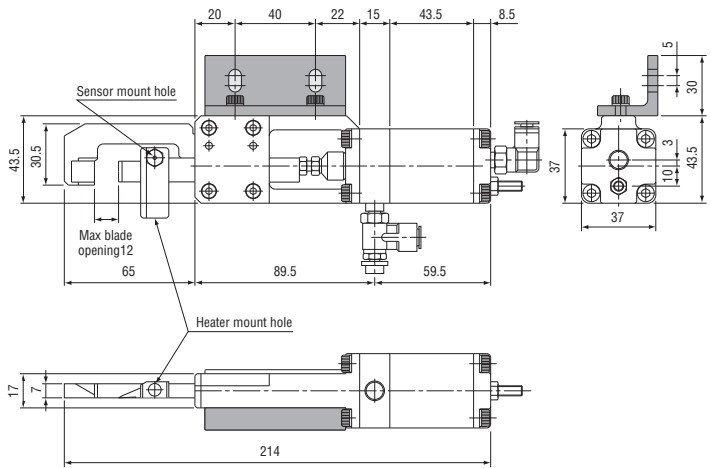
**Flow controller type
(job order production)**

Order code No.	060355
Standard	GT-NKH10
● Weight : 715g	



**Air hydro type
(job order production)**

Order code No.	060356
Standard	GT-NKH20
● Weight : 700g ● Hydro converter is required.	



* The drawing indicates GT-NKH10.
* [Option (bracket)]

Cut ● Air Nippers

Dimensions

(mm)

Standard	GT-NTH05	GT-NTH10
A	66.1	83
B	36	47
C	64	73
D	25.1	29
E	15	16.2
F	31.5	37.5
G	8	8
H	56.5	63
I	3.5	4.5
J	102.1	130
K	32	38
L	7	8
M	45	53
N	12	12
O	20	24
P	M4	M4

● Delivery time runs about 30 days from the order date.

▶ Desktop temperature controller for heat nipper



**Desktop temperature
controller for heat nipper**

Order code No.	030492
Standard	DTC-001

- Weight : 900g
- Power supply voltage : AC100-240V
- Power consumption : about 3W or 5VA (no-load condition)
- Output capacity : 12 MAX (- 1.2kw) resistance load
- Ambient operating temperature : 0-40°C RH35-85% (non-condensing)

